

MODEL ER-A457P

SRV key : LKGIM7113RCZZ

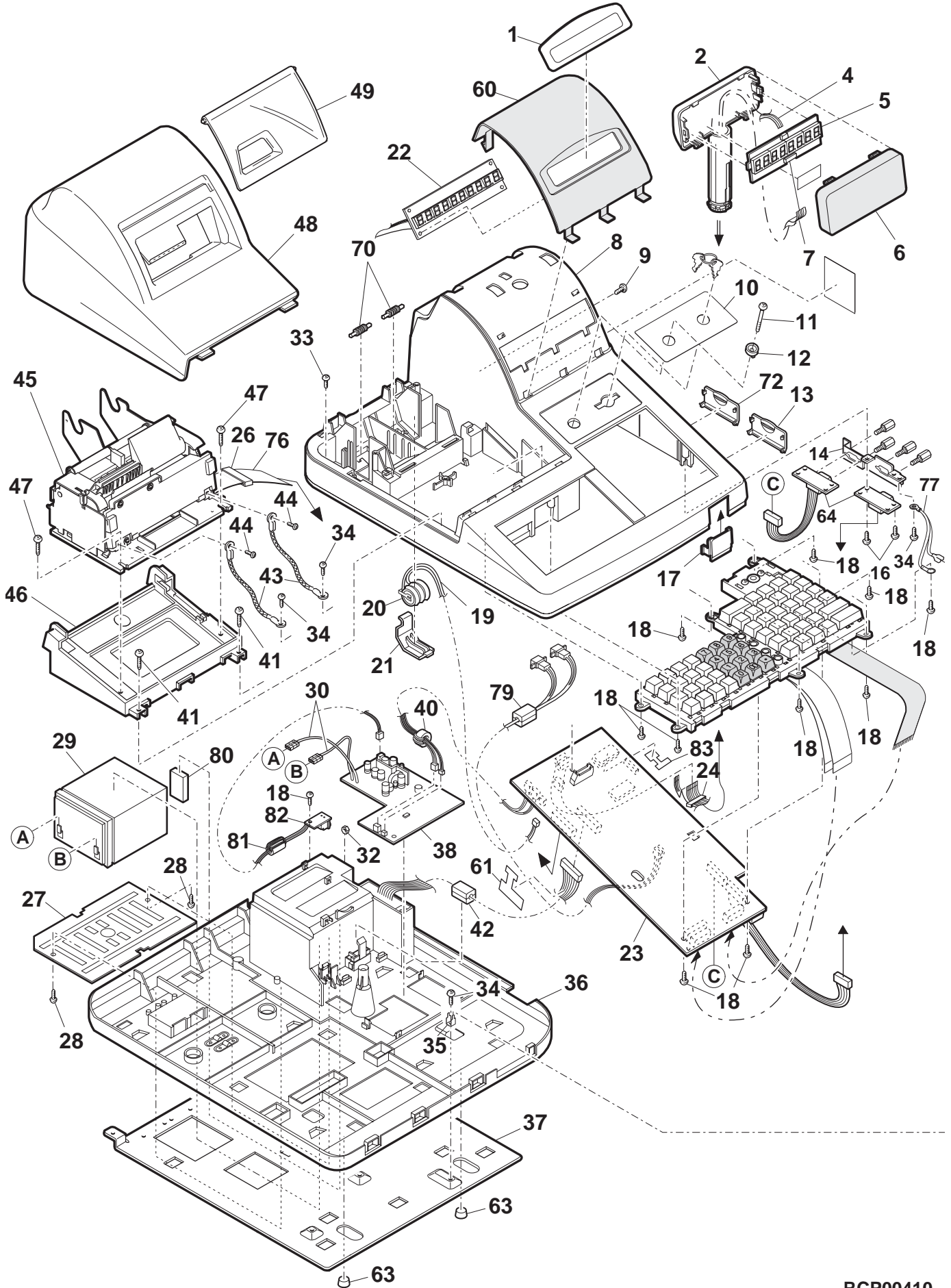
PRINTER:PR-45M

CONTENTS

- 1 Exteriors
- 2 Keyboard unit
- 3 Packing material & Accessories
- 4 Main PWB unit
- 5 Pop up PWB unit
- 6 DC jack PWB unit
- 7 LCD PWB unit
- 8 Articles for consumption
- 9 Service route options
- Index

Parts marked with "△" are important for the maintaining the safety of the set. Be sure replace these parts with specified ones for maintaining the safety and performance of the set.

1 Exteriors



RCP00410

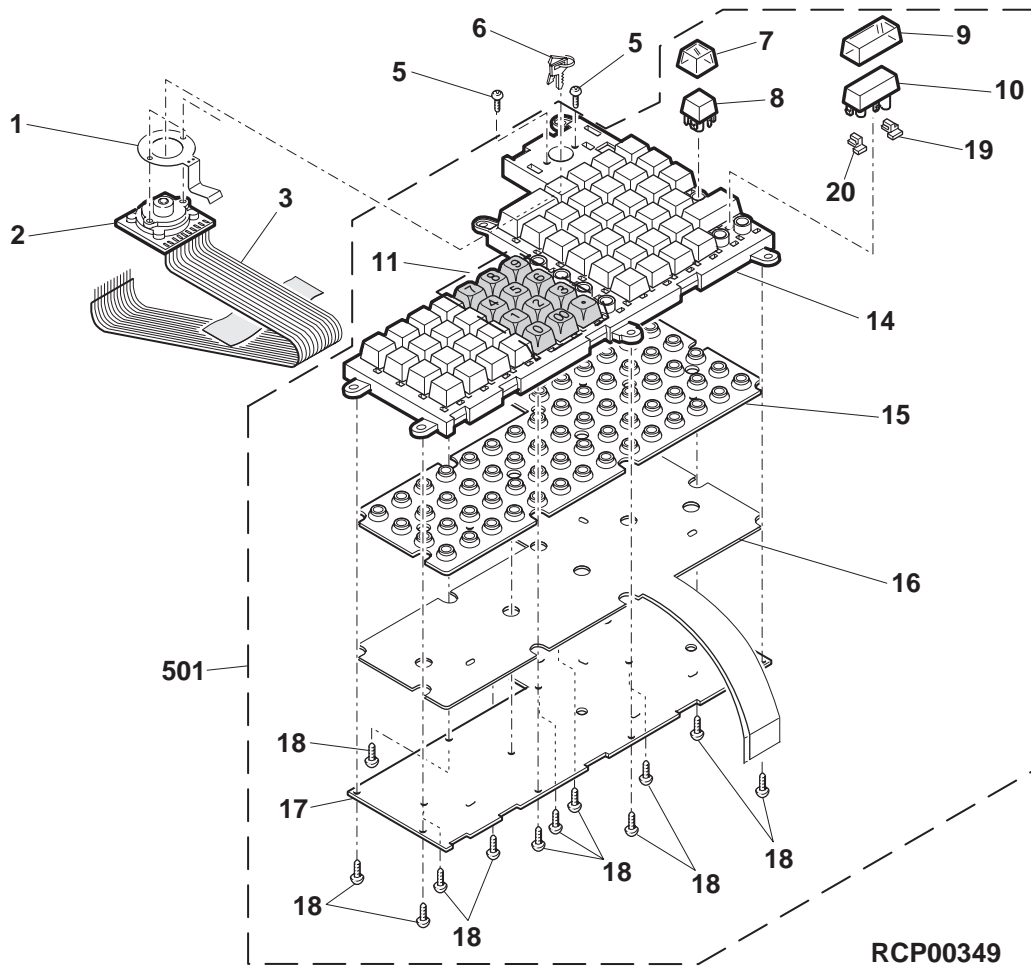
2 Keyboard unit

NO.	PARTS CODE	PRICE RANK	NEW MARK	PART RANK	DESCRIPTION
1	L A N G Q 7 6 0 4 B H Z Z	AG		C	Mode sw angle
2	L K G i W 0 0 0 1 B H Z A	AS		B	Mode sw(body)
3	Q C N W - 7 8 8 1 B H Z Z	AG		C	Mode sw cable
5	X J P S D 3 0 P 0 8 0 0 0	AA		C	Screw(3x8)
6	L K G i M 7 1 1 1 B H Z Z	AE		B	OP key(OP)
	L K G i M 7 1 2 9 B H Z Z	AE		B	SM key(SM)
	L K G i M 7 1 1 0 B H Z Z	AE		B	MA key(MA)
7	J K N B Z 6 8 9 7 B H S A	AH		C	Key cap(1x1)
8	J K N B Z 6 8 9 6 B H Z A	AG		C	Key top(1x1)
9	J K N B Z 6 8 9 9 B H S A	AK		C	Key cap(1x2)
10	J K N B Z 6 8 9 8 B H Z Z	AH		C	Key top(1x2)
11	J K N B Z 6 9 0 5 B H Z Z	AF		C	Key top(0)
	J K N B Z 6 9 0 8 B H Z Z	AK		C	Key top(.)
	J K N B Z 6 9 1 1 B H Z Z	AK		C	Key top(1)
	J K N B Z 6 9 1 2 B H Z Z	AK		C	Key top(2)
	J K N B Z 6 9 1 3 B H Z Z	AK		C	Key top(3)
	J K N B Z 6 9 1 4 B H Z Z	AK		C	Key top(4)
	J K N B Z 6 9 1 5 B H Z Z	AK		C	Key top(5)
	J K N B Z 6 9 1 6 B H Z Z	AK		C	Key top(6)
	J K N B Z 6 9 1 7 B H Z Z	AK		C	Key top(7)
	J K N B Z 6 9 1 8 B H Z Z	AK		C	Key top(8)
	J K N B Z 6 9 1 9 B H Z Z	AK		C	Key top(9)
14	L F R M - 6 7 0 0 B H Z Z	BB		D	Key frame
15	P G U M M 6 7 2 5 B H Z Z	AZ		C	Key rubber
16	P S H E P 6 8 5 4 B H Z Z	BD		C	Key sheet unit
17	L P L T M 6 7 0 5 B H Z Z	AX		C	Key plate
18	X J P S D 3 0 P 0 6 0 0 0	AA		C	Screw(3x6)
19	L H L D Z 6 8 3 6 B H Z Z	AE		C	Holder R(WHITE)
20	L H L D Z 6 8 3 7 B H Z Z	AE		C	Holder L(YELLOW)
101	C L A B H 7 0 9 2 B H S A	AP	N	D	Key label
501	K i - O K 2 0 1 1 B H 0 1	BP	N	E	Key board [except No.1-6]

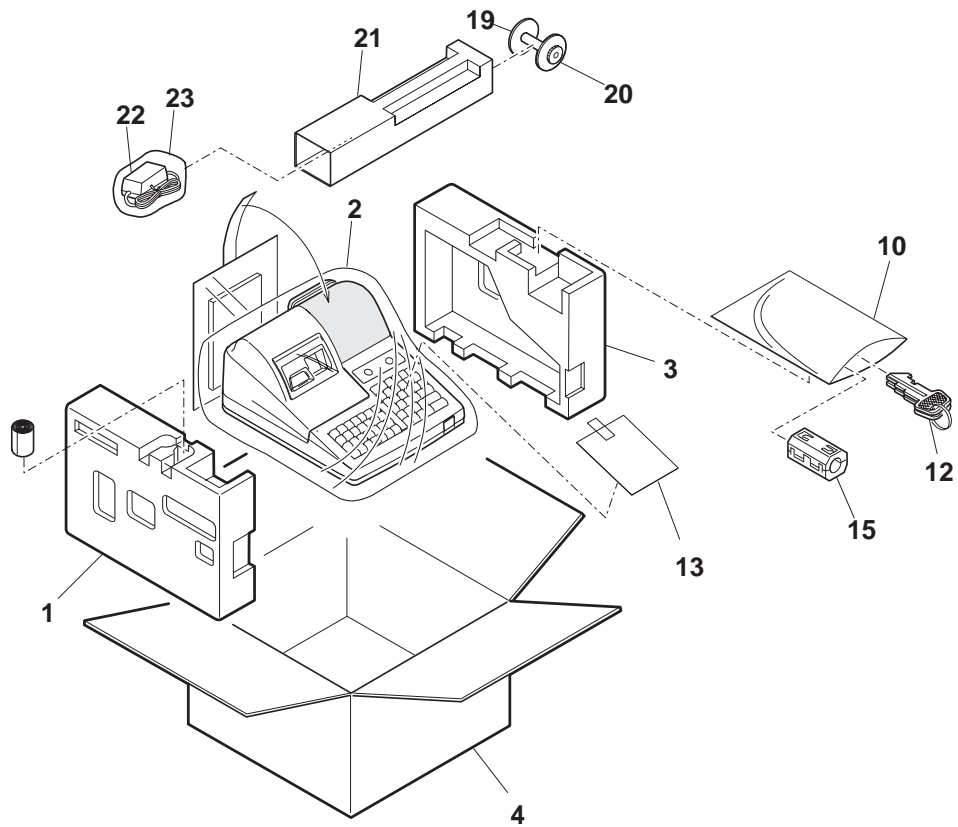
3 Packing material & Accessories

NO.	PARTS CODE	PRICE RANK	NEW MARK	PART RANK	DESCRIPTION
1	S P A K A 3 1 6 2 B H Z L	AX	N	D	Packing add L
2	P S H E P 6 6 8 1 B H Z Z	AF		D	Packing sheet
3	S P A K A 3 1 6 2 B H Z R	AX	N	D	Packing add R
4	S P A K C 3 1 6 1 B H Z Z	AZ	N	D	Packing case
10	S S A K H 3 0 1 2 C C Z Z	AA		D	Vinyl bag(80x120mm)
12	L K G i M 7 1 1 1 B H Z Z	AE		B	OP key(OP)
	L K G i M 7 1 2 9 B H Z Z	AE		B	SM key(SM)
	L K G i M 7 1 1 0 B H Z Z	AE		B	MA key(MA)
13	T C A D H 6 7 8 8 B H Z A	AC		D	Caution card(Black)
15	R C O R F 6 6 9 9 B H Z Z	AU		C	Core(BNF28)
19	N G E R H 2 3 1 7 B H Z Z	AR		C	Spool
20	P G i D H 2 3 9 4 B H Z Z	AK		C	G/Wheel
21	S P A K A 3 1 7 4 B H Z Z	AL	N	D	SLEEVE
22	D U N T K 4 3 1 2 B H Z Z	BR	N	E	Adaptor unit
23	S S A K H 3 0 1 5 C C Z Z	AA		D	Vinyl bag(200x300mm)

2 Keyboard unit



3 Packing material & Accessories



4 Main PWB unit

NO.	PARTS CODE	PRICE RANK	NEW MARK	PART RANK	DESCRIPTION
1	QCNCM1060AC03	AB		C	Connector(Short Pin 3P) [SW1,SW2]
2	QCNCM2905BHZZ	AL	N	C	LCD Connector(16PIN) [CN4]
3	QCNCM6865BH1A	AE		C	Connector(Mode S/W)(5267-11A) [CN9]
4	QCNCM7125BH0i	AN		C	Connector(9P) MLX 87023-6066)) [RSCN1,RSCN2]
5	QCNCM7207BH4J	AQ		C	Connector(40P)(6229ZiF DIP) [CN8]
6	QCNCW1057ACZZ	AB		C	Connector(Short socket) [SW1,SW2 /CI]
7	QCNCW2423BH0E	AE		C	Connector(Clerk)(5P)(5268-05A) [CN18]
8	QCNCW2885BHZZ	AQ		C	Option RAM stack connector(35774-4050) [CN7]
9	QCNCW6882BH1A	AG		C	Connector(11P)(52011-1110)(ST TYPE) [CN17]
10	QCNCW7081BHZZ	AB		C	Connector(2P)(5267-02A)(Blue) [CN6]
11	QCNCW7118BH0i	AG		C	Connector(K/B)(9P)(5229-09CPB) [CN19]
12	QCNCW7118BH1A	AG		C	Connector(11P)(5229-11CPB) [CN16]
13	QCNCW7201BH0E	AE		C	Connector(Pop)(5P)(52806-0510) [CN1]
14	QCNCW7201BH1E	AK		C	Connector(15P)(52806-1510) [CN2]
15	QCNW-3098BHZZ	AP		C	DS CN cable 1 [CN15-RS_CN2]
16	QCNW-3146BHZZ	AQ	N	C	PS cable [CN3]
17	QCNW-3147BHZZ	AG	N	C	PS_ON cable [CN5]
18	QCNW-3149BHZZ	AP	N	C	DR cable(WHITE) [CN11]
19	QCNW-3150BHZZ	AP	N	C	RS CN cable [CN12-RS_CN1]
20	QCNW-3151BHZZ	AP	N	C	DR cable(YELLOW) [CN10]
21	QCNW-3169BHZZ	AG	N	C	GND WIRE [DGND4-DGND12-DGND16-DGND7-DGND15]
22	QCNW-3170BHZZ	AE	N	C	GND WIRE [DGND6-DGND5-DGND19]
23	QFS-C1035CCZZ	AE		A	Fuse(1.6A 250V) [F1]
24	QFSD2109AFZZ	AC		C	Fuse holder(HD2109AF) [F1]
25	QFS-K2006BHZZ	AF		A	Fuse(LT-5,T2.5A/250V) [F2]
26	QSO CZ2042SC32	AE		C	IC socket(32pin) [IC2,11]
27	QSW-S0744AFZZ	AG		B	Reset switch(SSS312) [SW3]
28	RALMB6646BHZZ	AQ		B	Buzzer(RALMB6646BHZA) [BZ1]
29	RCiLC2415BHZZ	AH		C	Coil(22μH) [L1]
30	RCiLC2416BHZZ	AH		C	Coil(170μH) [L2]
31	RCORF2349BHZZ	AF	N	C	EMI FILTER(CF102 1000pF) [FIL1,2,3,4,5,6,7,8]
	RCORF2349BHZZ	AF	N	C	EMI FILTER(CF102 1000pF) [FIL9,10,11,12,13,14,15]
	RCORF2349BHZZ	AF	N	C	EMI FILTER(CF102 1000pF) [FIL16,17,18]
32	RCORF6702BHZZ	AF		C	EMI filter(100pF) [FIL19]
	RCORF7002BHZZ	AE		C	Chip core(EFCB322513TS) [FB5,6,7,8,9,10,11,12]
	RCORF7002BHZZ	AE		C	Chip core(EFCB322513TS) [FB13,14,15,16,17,18,19,20]
	RCORF7002BHZZ	AE		C	Chip core(EFCB322513TS) [FB21,22,23,24,25,26,27,28]
33	RCORF7002BHZZ	AE		C	Chip core(EFCB322513TS) [FB201,202,203,204,205,206]
	RCORF7002BHZZ	AE		C	Chip core(EFCB322513TS) [FB207,208,209,210,211,212,213]
	RCORF7002BHZZ	AE		C	Chip core(EFCB322513TS) [FB214,215,216,217,218,219,220]
	RCORF7002BHZZ	AE		C	Chip core(EFCB322513TS) [FB221,222,223,224,225,226]
34	RCRMZ7004RCZZ	AE		B	Chip resonater(CSTCC 7.37MG) [X3]
35	RCRSP6664RCZZ	AF		B	Crystal(19.66MHz) [X2]
36	RCRSP6676RCZZ	AG		B	X-TAL(32.768KHz) [X5]
37	RCRSZ6644RCZZ	AD		B	Crystal(4.19MHz) [X4]
38	RMPTQ2103QCJJ	AA		B	Block resistor(10KΩ×2) [BR21,26,29]
39	RMPTQ4101QCJJ	AB		B	Block resistor(100Ω×4) [BR6,8]
40	RMPTQ4102QCJJ	AB		B	Block resistor(1KΩ×4) [BR30,31]
	RMPTQ4103QCJJ	AB		B	Block resistor(10KΩ×4 1/32W ±5%) [BR1,2,3,4,5,7,9,10,11]
41	RMPTQ4103QCJJ	AB		B	Block resistor(10KΩ×4 1/32W ±5%) [BR12,13,14,15,16,17,18,19]
	RMPTQ4103QCJJ	AB		B	Block resistor(10KΩ×4 1/32W ±5%) [BR20,22,23,24,25,27,28]
42	RVR-B0003QCZZ	AF		B	Variable resistor(5KΩ,CET 065 B) [VR1]
43	VCCCCY1HH100D	AA		C	Capacitor(50WV 10pF) [C196]
	VCCCCY1HH101J	AA		C	Capacitor(50WV 100pF/1608Type/CH) [C21,22,31,34,47,48,49,50,51,52]
	VCCCCY1HH101J	AA		C	Capacitor(50WV 100pF/1608Type/CH) [C55,56,57,58,65,66,67,68,69,70]
	VCCCCY1HH101J	AA		C	Capacitor(50WV 100pF/1608Type/CH) [C71,73,74,75,76,77,78,79,80,82]
44	VCCCCY1HH101J	AA		C	Capacitor(50WV 100pF/1608Type/CH) [C83,84,85,86,87,88,89,108,113]
	VCCCCY1HH101J	AA		C	Capacitor(50WV 100pF/1608Type/CH) [C114,115,117,121,122,123,301]
	VCCCCY1HH101J	AA		C	Capacitor(50WV 100pF/1608Type/CH) [C204,207,209,213,214,215,216,217]
	VCCCCY1HH101J	AA		C	Capacitor(50WV 100pF/1608Type/CH) [C218,219,220,229]
	VCKYCY1HR152K	AB	N	C	Capacitor(50WV 1500pF) [C42]
46	VCCCCY1HH220J	AA		C	Capacitor(50WV 22pF) [C180]
47	VCCCCY1HH221J	AA		C	Capacitor(1608Type/220pF/CH) [C200]
48	VCCCCY1HH270J	AA		C	Capacitor(50WV 27PF) [C183]
	VCCCCY1HH331J	AB		C	Capacitor(50WV 330pF) [C37,38,39,40,100,101,104,105,106]
	VCCCCY1HH331J	AB		C	Capacitor(50WV 330pF) [C107,110,111,130,142,143,144,145]
49	VCCCCY1HH331J	AB		C	Capacitor(50WV 330pF) [C146,147,148,149,154,155,158,167,194]
	VCCCCY1HH331J	AB		C	Capacitor(50WV 330pF) [C221,222,223,225,232,235]
	VCCCCY1HH470J	AA		C	Capacitor(50WV 47PF) [C64,118,119,124,125,126,127,128]
	VCCCCY1HH470J	AA		C	Capacitor(50WV 47PF) [C132,133,134,135,150,151,152,153]
50	VCCCCY1HH470J	AA		C	Capacitor(50WV 47PF) [C168,169,170,171,172,173,174,175]
	VCCCCY1HH470J	AA		C	Capacitor(50WV 47PF) [C176,177,178,179]
	VCCCCY1HH470J	AA		C	Capacitor(50WV 47PF) [C226,227]
51	VCCCCY1HH471J	AA		C	Capacitor(50WV 470pF) [C195]
52	RC-EZ2275BHZZ	AK	N	C	Capacitor(22μ/10V) [C97]
53	RC-EZ2274BHZZ	AN	N	C	Capacitor(47μF/16V) [C198,C199]
54	RC-EZ2276BHZZ	AS	N	C	Capacitor(33μ/25V) [C300]
55	VCEAGA1CW105M	AA		C	Capacitor(16WV 1.0μF) [C192]
56	VCEAGA1CW106M	AA		C	Capacitor(16WV 10μF) [C16,18,28,98,120,159,163,186]
57	VCEAGA1CW337M	AB		C	Capacitor(16WV 330μF) [C5,7]

4 Main PWB unit

NO.	PARTS CODE	PRICE RANK	NEW MARK	PART RANK	DESCRIPTION
58	VCEAGA1CW476M	AB		C	Capacitor(16WV 47μF) [C4,91,92]
59	VCEAGA1EW107M	AB		C	Capacitor(25WV 100μF) [C1]
60	VCEAGA1HW106M	AA		C	Capacitor(50WV 10μF) [C17,32,35,53,63,165]
61	VCEAGA1HW474M	AB		C	Capacitor(50WV 0.47μF) [C2,99]
62	VCEAGA1VW228M	AK		C	Capacitor(2200μF/35V) [C72]
63	VCEAGD1CW108M	AE		C	Capacitor(16WV 1000μF) [C3]
64	VCEAGA1EW337M	AC	N	C	Capacitor(330μF/25V SD)(VCEAGD1EW337M) [C197]
65	VCEAPS1CC106M	AC		C	Capacitor(16WV 10μF) [C20,24,26,27,30]
66	VCKYCY1HB102K	AA		C	Capacitor(50WV 1000pF) [C8,9,10,11,12,13,14,15,59,109,139]
	VCKYCY1HB102K	AA		C	Capacitor(50WV 1000pF) [C140,141,157,160,164,181,184,187,193]
	VCKYCY1HB102K	AA		C	Capacitor(50WV 1000pF) [C202,203,206,211,212,224,230,231]
	VCKYCY1HB102K	AA		C	Capacitor(50WV 1000pF) [C236,237]
67	VCKYCY1HB222K	AA		C	Capacitor(50WV 2200pF) [C138]
68	VCKYCY1HF104Z	AA		C	Capacitor(50WV 0.10μF) [C6,19,23,25,29,44,45,60,61,62]
	VCKYCY1HF104Z	AA		C	Capacitor(50WV 0.10μF) [C94,95,96,102,112,129,131,136]
	VCKYCY1HF104Z	AA		C	Capacitor(50WV 0.10μF) [C137,161,162,166,182,185,188,189]
	VCKYCY1HF104Z	AA		C	Capacitor(50WV 0.10μF) [C190,191]
	VCKYCY1HF104Z	AA		C	Capacitor(50WV 0.10μF) [C201,205,208,210,228,233,234,238]
	VCKYCY1HF104Z	AA		C	Capacitor(50WV 0.10μF) [C239,240,241,242,243]
69	VCKYCY1AF105Z	AC		C	Capacitor(1μF/10V(1608)F) [C156]
70	VHD1SR1544001	AB		B	Diode(1SR1544001) [D200]
71	VHD1SS355// -1	AB		B	Diode(1SS355) [D1,4,5,6,8,9,10,11,12,15]
	VHD1SS355// -1	AB		B	Diode(1SS355) [D16,17,18,19,20,21,22,23,24,25]
	VHD1SS355// -1	AB		B	Diode(1SS355) [D26,27,28,29,30,31,32,33,34]
72	VHDRB160L-401	AG		B	Diode(RB160L-40) [D2,3,7]
	VHDRB160L-401	AG		B	Diode(RB160L-40) [D201]
73	VHEMTZJ6.2C-1	AC		B	Zener diode(MTZJ 6.2C) [ZD1]
74	VHEPTZ6.2A/-1	AH		B	Zener diode(PTZ6.2A) [ZD200]
75	VHEUDZS15B+-1	AD	N	B	CHIP ZENER DIODE(UDZS15B) [ZD2]
76	VHHMiNSMDC020	AF		B	Thermistor(MiniSMD020-2) [PF1]
	VHHMiNSMDC020	AF		B	Thermistor(MiniSMD020-2) [PF200]
77	VHi27801RAR1A	BH	N	B	ROM(27801RAR1A) [IC2]
78	VHi621024M7-1	AZ	N	B	S-RAM 1M(LP621024DM-70)(SOP) [IC7]
79	VHi65945GDP13	BA		B	G/A MPC9(D65945GDP13) [IC20]
80	VHi74HC138DR/	AK		B	IC(SN74HC138DR) [IC5]
81	VHi74LV08/DR/	AK		B	IC(74LV08) [IC24]
82	VHiBA00ASFP-1	AR		B	IC(BA00ASFP) [IC3]
83	VHiBA033F+-1	AP		B	IC(BA033F) [IC18]
84	VHiBA10393F-1	AC		B	IC(BA10393F) [IC19,22,23,25]
85	VHiD780021538	BB	N	B	CKDC11(UPD780021AGC-538-AB8) [IC29]
86	VHiFS781BZB-1	AP		B	IC(FS781BZB) [IC12]
87	VHiG76C256F70	BC		B	IC(G76D256F70) [IC27]
88	VHiH641510810	BA		B	CPU(H641510810) [IC14]
89	VHiHiN211CA-1	AN		B	IC(HIN211CA) [IC28,30]
90	VHiKiA431F/-1	AK		B	IC(KIA431F) [IC26]
	VHiKiA431F/-1	AK		B	IC(KIA431F) [IC202]
91	VHiKiA7042P-1	AH		B	IC(KIA7042P) [IC1]
92	VHiKiD65083AP	AM		B	IC(KID65083AP) [IC4]
93	VHiMAX1627ESA	BA		B	IC(MAX1627) [IC200]
94	VHiMC34063AM1	AG		B	IC(MC34063AM1) [IC201]
95	VHiSN74HC00DR	AG		B	IC(74HC00) [IC21]
96	VHiSN74HC245D	AL		B	IC(SN74HC245D) [IC9]
97	VHiSN74HC374D	AL		B	IC(SN74HC374D) [IC8,10]
98	VHiSNLV00AS-1	AK		B	IC(74LV00A) [IC6]
99	VHiSTA471A/-1	AK		B	IC(STA471A) [IC18,19]
100	VHiTD62308F-1	AH		B	IC(TD62308F) [IC13]
101	VRS-CY1JD000J	AA		C	Resistor(1/16W 0Ω ±5%)(Jumper/1608Type) [R28,88,98,101]
102	VRS-CY1JD101J	AA		C	Resistor(1/16W 100Ω ±5%) [R36,71,106,109,111,114,119,121]
	VRS-CY1JD101J	AA		C	Resistor(1/16W 100Ω ±5%) [R220,221,225,226,249,250,261,262]
103	VRS-CY1JD102J	AA		C	Resistor(1/16W 1.0KΩ ±5%) [R2,87,93,102]
	VRS-CY1JD102J	AA		C	Resistor(1/16W 1.0KΩ ±5%) [R216,217,230,231,237,238,239,240]
	VRS-CY1JD102J	AA		C	Resistor(1/16W 1.0KΩ ±5%) [R241,242]
104	VRS-CY1JD103J	AA		C	Resistor(1/16W 10KΩ ±5%) [R4,29,37,43,44,45,51]
	VRS-CY1JD103J	AA		C	Resistor(1/16W 10KΩ ±5%) [R68,73,76,77,78,79,83,89,97]
	VRS-CY1JD103J	AA		C	Resistor(1/16W 10KΩ ±5%) [R99,100,110,120,129]
	VRS-CY1JD103J	AA		C	Resistor(1/16W 10KΩ ±5%) [R204,205,206,207,219,222,224,227,229]
	VRS-CY1JD103J	AA		C	Resistor(1/16W 10KΩ ±5%) [R232,233,251]
105	VRS-CY1JD104F	AA		C	Resistor(1/16W 100KΩ ±1%) [R123]
106	VRS-CY1JD104J	AA		C	Resistor(1/16W 100KΩ ±5%) [R74,75,81,86,116]
	VRS-CY1JD104J	AA		C	Resistor(1/16W 100KΩ ±5%) [R203]
107	VRS-CY1JD105J	AA		C	Resistor(1/16W 1.0MΩ ±5%) [R113]
108	VRS-CY1JD112F	AA		C	Resistor(1/16W 1.1KΩ ±1%) [R201]
109	VRS-CY1JD122J	AA		C	Resistor(1/16W 1.2KΩ ±5%) [R60]
110	VRS-CY1JD123J	AA		C	Resistor(1/16W 12KΩ ±5%) [R7,9,11,13,15,17,19,21,23,25,108]
	VRS-CY1JD123J	AA		C	Resistor(1/16W 12KΩ ±5%) [R212]
111	VRS-CY1JD133F	AA		C	Resistor(1/16W 13KΩ ±1%) [R105,124]
112	VRS-CY1JD151J	AA		C	Resistor(1/16W 150Ω ±5%) [R31]
113	VRS-CY1JD152J	AA		C	Resistor(1/16W 1.5KΩ ±5%) [R48]
114	VRS-CY1JD163F	AA		C	Resistor(1/16W 16KΩ ±1%) [R40,41]
115	VRS-CY1JD181J	AA		C	Resistor(1/16W 180Ω ±5%) [R30,52]

4 Main PWB unit

NO.	PARTS CODE	PRICE RANK	NEW MARK	PART RANK	DESCRIPTION
116	VRS-CY1JD183F	AA		C	Resistor(1/16W 18KΩ ±1%) [R248]
117	VRS-CY1JD183J	AA		C	Resistor(1/16W 18KΩ ±5%) [R59,67]
118	VRS-CY1JD203F	AB		C	Resistor(1/16W 20KΩ ±1%) [R104]
119	VRS-CY1JD203J	AA		C	Resistor(1/16W 20KΩ ±5%) [R35]
120	VRS-CY1JD221J	AA		C	Resistor(1/16W 220Ω ±5%) [R6,8,10,12,14,16,18,20,22,24,70]
121	VRS-CY1JD222J	AA		C	Resistor(1/16W 2.2KΩ ±5%) [R54,107]
	VRS-CY1JD222J	AA		C	Resistor(1/16W 2.2KΩ ±5%) [R228]
122	VRS-CY1JD223J	AA		C	Resistor(1/16W 22KΩ ±5%) [R64]
123	VRS-CY1JD241J	AA		C	Resistor(1/16W 240KΩ ±5%) [R95]
	VRS-CY1JD241J	AA		C	Resistor(1/16W 240KΩ ±5%) [R234]
124	VRS-CY1JD242F	AA		C	Resistor(1/16W 2.4KΩ ±1%) [R33]
125	VRS-CY1JD272J	AA		C	Resistor(1/16W 2.7KΩ ±5%) [R94,127]
126	VRS-CY1JD330J	AA		C	Resistor(1/16W 33Ω ±5%) [R50]
127	VRS-CY1JD331J	AA		C	Resistor(1/16W 330Ω ±5%) [R112]
128	VRS-CY1JD332J	AA		C	Resistor(1/16W 3.3KΩ ±5%) [R55,66,128]
129	VRS-CY1JD333F	AA		C	Resistor(1/16W 33KΩ ±1%) [R125]
130	VRS-CY1JD333J	AA		C	Resistor(1/16W 33KΩ ±5%) [R80,85]
131	VRS-CY1JD334J	AA		C	Resistor(1/16W 330KΩ ±5%) [R118]
132	VRS-CY1JD362F	AA		C	Resistor(1/16W 3.6KΩ ±1%) [R39,42]
	VRS-CY1JD362F	AA		C	Resistor(1/16W 3.6KΩ ±1%) [R200]
133	VRS-CY1JD472J	AA		C	Resistor(1/16W 4.7KΩ ±5%) [R27,63,65,72]
	VRS-CY1JD472J	AA		C	Resistor(1/16W 4.7KΩ ±5%) [R218,235,243,247]
134	VRS-CY1JD473J	AA		C	Resistor(1/16W 47KΩ ±5%) [R26,62,115,122]
	VRS-CY1JD473J	AA		C	Resistor(1/16W 47KΩ ±5%) [R252,253,254,255,256,257,258,259]
	VRS-CY1JD473J	AA		C	Resistor(1/16W 47KΩ ±5%) [R260]
135	VRS-CY1JD561J	AA		C	Resistor(1/16W 560Ω ±5%) [R3]
136	VRS-CY1JD562F	AA		C	Resistor(1/16W 5.6KΩ ±1%) [R103]
137	VRS-CY1JD562J	AA		C	Resistor(1/16W 5.6KΩ ±5%) [R34,82,84,117]
	VRS-CY1JD562J	AA		C	Resistor(1/16W 5.6KΩ ±5%) [R223,236]
138	VRS-CY1JD563J	AA		C	Resistor(1/16W 56KΩ ±5%) [R49,56,57,58]
139	VRS-CY1JD680F	AA		C	Resistor(1/16W 68Ω ±1%) [R246]
140	VRSCY1JR1151F	AA		C	Resistor(1/16W 1.15KΩ ±1%) [R245]
141	VRSCY1JR1330F	AA		C	Resistor(1/16W 133Ω ±1%) [R244]
142	VRS-RE3AAR22J	AA		C	Resistor(1W 0.22Ω ±5%) [R53]
143	VS2SB1340/-1	AL		B	Transistor(2SB1340) [Q25]
	VS2SA1036KQRC	AB		B	Transistor(2SA1036KQRC) [Q1]
	VS2SC2412K/-1	AB		B	Transistor(2SC2412K) [Q203]
	VS2SA1036KQRC	AB		B	Transistor(2SA1036KQRC) [Q204]
	VS2SC2412K/-1	AB		B	Transistor(2SC2412K) [Q24,31,32]
144	VSKRA106S/-1	AF		B	Transistor(KRA106S) [Q28]
145	VSKRC106S/-1	AD		B	Transistor(KRC106S) [Q12,13,14,15,16,17,18,19,20,21,26]
	VSKRC106S/-1	AD		B	Transistor(KRC106S) [Q29,30]
146	VSKTA1663/-1	AE		B	Transistor(KTA1663) [Q2,3,4,5,6,7,8,9,10,11]
147	VSKTA1664/-1	AD		B	Transistor(KTA1664) [Q27]
148	VSMTD2955V+-1	AQ		B	Transistor(MTD2955V) [Q23]
	VSMTD2955V+-1	AQ		B	Transistor(MTD2955V) [Q202]
149	RC-EZ2273BHZZ	AU		C	CAPACITOR(100μF/25V) [C197]
201	TLABZ6933BHZZ	AA		C	ROM LABEL [IC4]
	(Unit)				
901	CPWBN2902BH01	CH	N	E	MAIN PWB UNIT

5 Pop up PWB unit

NO.	PARTS CODE	PRICE RANK	NEW MARK	PART RANK	DESCRIPTION
1	QCNCW2860BH0E	AG		C	POP Connector(00-6232-005-104-800) [CN1]
2	QCNCW2860BH1E	AH		C	POP Connector(00-6232-015-104-800) [CN2]
3	VHPD4040GR2-1	AQ	N	B	LED(10MM)(CSD428G)(VHPHD4040GR2-1) [FND1,2,3,4,5]
4	VRD-RC2EY270J	AA		C	Resistor(1/4W 27Ω ±5%) [R1,2,3,4,5,6,7,8]
	(Unit)				
901	CPWBF2907BHZZ	BD	N	E	POP UP PWB UNIT

6 DC jack PWB unit

NO.	PARTS CODE	PRICE RANK	NEW MARK	PART RANK	DESCRIPTION
1	QCNCW2824BHZZ	AQ		C	DC power jack
3	QCNCW-3144BHZZ	AM	N	C	DC jack cable
	(Unit)				
901	CPWBF2903BH01	AX	N	E	JACK PWB UNIT

■ Index

PARTS CODE	NO.	PRICE RANK	NEW MARK	PART RANK	
【C】					
CCABB7857BHZZ	1- 8	BF	N	D	
CCABB7861BHZZ	1- 2	AR	N	D	
CLABH7092BHSA	2-101	AP	N	D	
CPWBF2903BH01	1- 82	AX	N	E	
"/	6-901	AX	N	E	
CPWBF2907BHZZ	1- 5	BD	N	E	
"/	5-901	BD	N	E	
CPWBN2857BH03	1- 22	BT	N	E	
"/	7-901	BT	N	E	
CPWBN2902BH01	1- 23	CH	N	E	
"/	1- 64	CH	N	E	
"/	4-901	CH	N	E	
【D】					
DKiT-8669BHZZ	9- 4	BU		S	
DUNT-4313BHZZ	1- 36	BT	N	E	
DUNTK4098BHZZ	7- 1	BR		E	
DUNTK4311BHZZ	1- 38	BU	N	E	
DUNTK4312BHZZ	3- 22	BR	N	E	
【G】					
GCOVA7140BHSA	1- 48	AZ	N	D	
GCOVB7154BHZZ	9- 6	BH		S	
GCOVH2509BHSA	1- 72	AH	N	D	
GCOVH7126BHZZ	9- 3	BE		S	
GCOVH7143BHZZ	1- 21	AH		D	
GCOVH7144BHSA	1- 13	AH	N	D	
GFTAF6921BHSH	1- 17	AK	N	D	
GFTAF6922BHSC	9- 7	AH		S	
GLEGG6659BHZZ	1- 63	AE		D	
【H】					
HDECP6865BHSA	1- 10	AN	N	D	
HPNLC2480BHZZ	1- 60	AY		D	
【J】					
JKNBZ6896BHZA	2- 8	AG		C	
JKNBZ6897BHSA	2- 7	AH		C	
JKNBZ6898BHZZ	2- 10	AH		C	
JKNBZ6899BHSA	2- 9	AK		C	
JKNBZ6902BHSA	9- 8	AH		S	
JKNBZ6903BHSA	9- 9	AR		S	
JKNBZ6905BHZZ	2- 11	AF		C	
JKNBZ6908BHZZ	2- 11	AK		C	
JKNBZ6911BHZZ	2- 11	AK		C	
JKNBZ6912BHZZ	2- 11	AK		C	
JKNBZ6913BHZZ	2- 11	AK		C	
JKNBZ6914BHZZ	2- 11	AK		C	
JKNBZ6915BHZZ	2- 11	AK		C	
JKNBZ6916BHZZ	2- 11	AK		C	
JKNBZ6917BHZZ	2- 11	AK		C	
JKNBZ6918BHZZ	2- 11	AK		C	
JKNBZ6919BHZZ	2- 11	AK		C	
JKNBZ6920BHZZ	2- 11	AK		C	
【K】					
Ki-OB2359BHZZ	1- 45	CA		E	
Ki-OK2011BH01	2-501	BP	N	E	
【L】					
LANGK2897BHZZ	1- 14	AQ		C	
LANGK2901BHZZ	1- 27	AL	N	C	
LANGQ7604BHZZ	2- 1	AG		C	
LCHSM2008BHZZ	1- 37	AU	N	C	
LFRM-6700BHZZ	2- 14	BB		D	
LHLDZ6836BHZZ	2- 19	AE		C	
LHLDZ6837BHZZ	2- 20	AE		C	
LHLDZ6847BHZZ	1- 46	AS		C	
LKGiM1004BH01	9-101	AW		S	
LKGiM1004BH02	9-102	AW		S	
LKGiM1004BH03	9-103	AW		S	
LKGiM1004BH04	9-104	AW		S	
LKGiM1004BH05	9-105	AW		S	
LKGiM1004BH06	9-106	AW		S	
LKGiM7110BHZZ	2- 6	AE		B	
"/	3- 12	AE		B	
LKGiM7111BHZZ	2- 6	AE		B	
"/	3- 12	AE		B	
LKGiM7113BHZZ	9- 1	AF		S	
LKGiM7126BHZZ	9- 2	AX		S	
LKGiM7129BHZZ	2- 6	AE		B	
"/	3- 12	AE		B	
LKGiW0001BHZA	2- 2	AS		B	
LPLTM6705BHZZ	2- 17	AX		C	

PARTS CODE	NO.	PRICE RANK	NEW MARK	PART RANK	
LX-BZ6778BHZZ	1- 33	AA		C	
【N】					
NGERH2317BHZZ	3- 19	AR		C	
NROLP6651BHSC	1- 70	AE		C	
【P】					
PCUSG2407BHZZ	1- 80	AH		C	
PFiLD6973BHZZ	1- 49	AS		D	
PFiLW2009BHZZ	1- 1	AV	N	D	
PFiLW6961BHZZ	1- 6	AP		D	
PGiDH2394BHZZ	3- 20	AK		C	
PGUMM6725BHZZ	2- 15	AZ		C	
PRNGP6631BHZZ	1- 12	AK		C	
PSHEP6681BHZZ	3- 2	AF		D	
PSHEP6854BHZZ	2- 16	BD		C	
【Q】					
QCNCM1060AC03	4- 1	AB		C	
QCNCM2905BHZZ	4- 2	AL	N	C	
QCNCM6865BH1A	4- 3	AE		C	
QCNCM7125BH0i	4- 4	AN		C	
QCNCM7207BH4J	4- 5	AQ		C	
QCNCW1057ACZZ	4- 6	AB		C	
QCNCW2423BH0E	4- 7	AE		C	
QCNCW2824BHZZ	6- 1	AQ		C	
QCNCW2860BH0E	5- 1	AG		C	
QCNCW2860BH1E	5- 2	AH		C	
QCNCW2885BHZZ	4- 8	AQ		C	
QCNCW6882BH1A	4- 9	AG		C	
QCNCW7081BHZZ	4- 10	AB		C	
QCNCW7118BH0i	4- 11	AG		C	
QCNCW7118BH1A	4- 12	AG		C	
QCNCW7201BH0E	4- 13	AE		C	
QCNCW7201BH1E	4- 14	AK		C	
QCNCW-3098BHZZ	4- 15	AP		C	
QCNCW-3144BHZZ	6- 3	AM	N	C	
QCNCW-3145BHZZ	1- 30	AQ	N	C	
QCNCW-3146BHZZ	4- 16	AQ	N	C	
QCNCW-3147BHZZ	4- 17	AG	N	C	
QCNCW-3148BHZZ	7- 3	AT	N	C	
QCNCW-3149BHZZ	4- 18	AP	N	C	
QCNCW-3150BHZZ	4- 19	AP	N	C	
QCNCW-3151BHZZ	4- 20	AP	N	C	
QCNCW-3169BHZZ	4- 21	AG	N	C	
QCNCW-3170BHZZ	4- 22	AE	N	C	
QCNCW-3171BHZZ	1- 77	AF	N	C	
QCNCW-7121RCZZ	1- 43	AD		C	
QCNCW-7878BHZZ	1- 7	AK		C	
QCNCW-7879BHZZ	1- 4	AP		C	
QCNCW-7880BHZZ	1- 19	AF		C	
QCNCW-7881BHZZ	2- 3	AG		C	
QCNCW-7898BHZZ	1- 76	AP		C	
QFS-C1035CCZZ	4- 23	AE		A	
QFSDH2109AFZZ	4- 24	AC		C	
QFS-K2006BHZZ	4- 25	AF		A	
QSOCZ2042SC32	4- 26	AE		C	
QSW-S0744AFZZ	4- 27	AG		B	
QTANZ6661BHZZ	1- 35	AE		C	
【R】					
RALMB6646BHZZ	4- 28	AQ		B	
RC-EZ2273BHZZ	4-149	AU		C	
RC-EZ2274BHZZ	4- 53	AN	N	C	
RC-EZ2275BHZZ	4- 52	AK	N	C	
RC-EZ2276BHZZ	4- 54	AS	N	C	
RCiLC2415BHZZ	4- 29	AH		C	
RCiLC2416BHZZ	4- 30	AH		C	
RCORF2343BHZZ	1- 26	AR		C	
RCORF2347BHZZ	1- 24	AL	N	C	
RCORF2348BHZZ	1- 81	AQ	N	C	
RCORF2349BHZZ	4- 31	AF	N	C	
RCORF6696BHZZ	1- 40	AL		C	
RCORF6699BHZZ	1- 79	AU		C	
"/	3- 15	AU		C	
RCORF6700BHZZ	1- 42	AS		C	
RCORF6702BHZZ	4- 32	AF		C	
RCORF7002BHZZ	4- 33	AE		C	
RCRMZ7004RCZZ	4- 34	AE		B	
RCRSP6664RCZZ	4- 35	AF		B	
RCRSP6676RCZZ	4- 36	AG		B	
RCRSZ6644RCZZ	4- 37	AD		B	
RMPQT2103QCJJ	4- 38	AA		B	
RMPQT4101QCJJ	4- 39	AB		B	
RMPQT4102QCJJ	4- 40	AB		B	

