

**MODEL ER-A277P**

PRINTER:LTP-1245

SRV KEY:LKGIM7113BHZZ

## CONTENTS

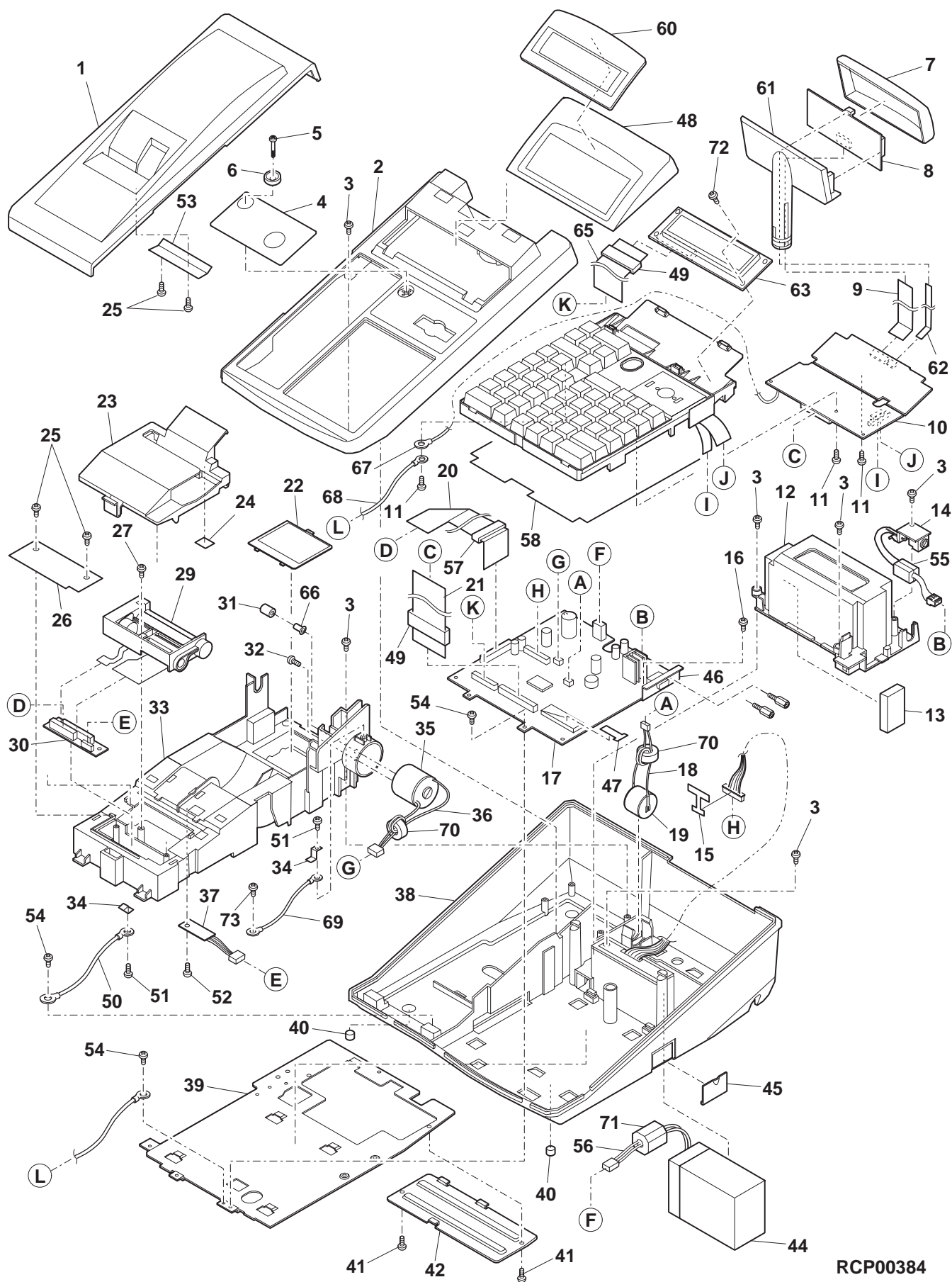
- 1 Exteriors
  - 2 Keyboard unit
  - 3 Packing material & Accessories
  - 4 Main PWB unit
  - 5 Key I/F PWB unit
  - 6 Pop up PWB unit
  - 7 DC Jack PWB unit
  - 8 PR I/F PWB unit
  - 9 Sensor PWB unit
  - 10 Articles for consumption
  - 11 Service options & Service tools
- Index

Parts marked with "△" are important for maintaining the safety of the set. Be sure to replace these parts with specified ones for maintaining the safety and performance of the set.

## 1 Exteriors

| NO. | PARTS CODE    | PRICE RANK | NEW MARK | PART RANK | DESCRIPTION                                     |
|-----|---------------|------------|----------|-----------|---|
| 1   | GCÖVB2482BHZZ | AU         |          | D         | Printer cover                                   |
| 2   | CCABB2532BH01 | AX         |          | D         | Top cabinet                                     |
| 3   | XEBSD30P10000 | AA         |          | C         | Screw (3×10) [MEMORY BOX]                       |
| 4   | HDECP2366BHSH | AM         | N        | D         | Deco panel                                      |
| 5   | LX-BZ2180BHZZ | AC         |          | C         | Screw [MOLD BUSHING]                            |
| 6   | PRNGP6631BHZZ | AK         |          | C         | Mold bush (Special seal)                        |
| 7   | PfiLW2431BHZZ | AP         |          | D         | Pop up filter                                   |
| 8   | CPWBF7553BH02 | BH         |          | E         | Pop up LED PWB unit                             |
| 9   | QCNW-3063BHZZ | AL         |          | C         | Pop up flat cable (15P)                         |
| 10  | CPWBF2901BH01 | BF         | N        | E         | Key i/f PWB unit [include No.67]                |
| 11  | XEBSD30P08000 | AA         |          | C         | Screw (3×8) [BATTERY CASE,PR HOLDER]            |
| 12  | GCASB2330BHZZ | AP         |          | D         | Battery case                                    |
| 13  | PCUSG2407BHZZ | AH         |          | C         | Battery cushion                                 |
| 14  | CPWBF2843BH01 | BA         |          | E         | DC Jack PWB unit                                |
| 15  | TLABZ7107BHSA | AC         |          | D         | Connector label                                 |
| 16  | XHBSD30P10000 | AA         |          | C         | Screw (3×10) [RS232C ANGLE]                     |
| 17  | CPWBN2900BH01 | CC         | N        | E         | Main PWB unit [Only 1st lot used]               |
|     | CPWBN2900BH02 | CD         | N        | E         | Main PWB unit [From 2nd lot use]                |
| 18  | QCNW-3085BHZZ | AE         |          | C         | Battery cable (NI-MH)                           |
| 19  | UBATZ6661BHZZ | BA         |          | B         | Battery (Ni-MH)                                 |
| 20  | QCNW-3041BHZZ | AP         |          | C         | Flat cable (26P)                                |
| 21  | QCNW-3042BHZZ | AQ         |          | C         | Flat cable (34P)                                |
| 22  | GFTAB6775BHSD | AE         |          | D         | Battery cover                                   |
| 23  | GDAi-2344BHZZ | AL         |          | D         | Paper dai                                       |
| 24  | PSHEP2884BHZZ | AG         |          | C         | Sensor sheet                                    |
| 25  | LX-BZ6788BHZZ | AD         |          | C         | Screw [PR SHEET,PAPER CUTTER]                   |
| 26  | PSHEP2885BHZZ | AK         |          | C         | PR PWB sheet                                    |
| 27  | XJSSD26P08000 | AA         |          | C         | Screw (2.6×8) [PRINTER]                         |
| 29  | Ki-ÖB2365RCZZ | BM         |          | E         | Thermal printer unit (LTP1245)                  |
| 30  | CPWBN2842BH01 | BH         |          | E         | PR i/f PWB unit                                 |
| 31  | PGUMM2437BHZZ | AC         |          | C         | Motor gum                                       |
| 32  | XBPSD26P06000 | AA         |          | C         | Screw (2.6×6) [MOTOR]                           |
| 33  | LHLDZ2376BHZZ | AR         |          | C         | Printer holder                                  |
| 34  | LANGQ2851BHZZ | AF         |          | C         | Earth plate                                     |
| 35  | RMÖTM6633BHZZ | AY         |          | B         | DC motor  |
| 36  | QCNW-3043BHZZ | AE         |          | C         | Motor cable                                     |
| 37  | CPWBF2841BH01 | AZ         |          | E         | Sensor PWB unit                                 |
| 38  | DUNT-4104BHZZ | BU         |          | E         | Bottom FMC unit (Full Mold type)                |
| 39  | LCHSM2375BHZZ | AW         |          | C         | Main chassis                                    |
| 40  | GLEGG6659BHZZ | AE         |          | D         | T/gum leg                                       |
| 41  | XUBSD40P10000 | AA         |          | C         | Screw (4×10) [BATTERY ANGLE]                    |
| 42  | LANGK2850BHZZ | AQ         |          | C         | Battery angle                                   |
| 44  | UBATN2339BHZZ | BQ         |          | B         | Pb battery                                      |
| 45  | GCÖVH2484BHZZ | AF         |          | D         | RS232C cover                                    |
| 46  | LANGT2849BHZZ | AF         |          | C         | RS232C angle                                    |
| 47  | TLABZ2503BHZZ | AC         |          | D         | ROM label                                       |
| 48  | PfiLW2433BHZZ | AV         |          | D         | Front filter                                    |
| 49  | RCÖRF2343BHZZ | AR         |          | C         | Core (HFP-49.6-6.5-12)                          |
| 50  | QCNW-7904BHZZ | AE         |          | C         | Eaerth wire                                     |
| 51  | XEBSD30P06000 | AA         |          | C         | Screw (3×6) [EARTH PLATE]                       |
| 52  | XEBSD26P06000 | AA         |          | C         | Screw (2.6×6) [SENSOR PWB UNIT]                 |
| 53  | PCUT-2326BHZZ | AF         |          | C         | Paper cutter                                    |
| 54  | XHBSD30P06000 | AA         |          | C         | Screw (3×6) [EARTH GND]                         |
| 55  | RCÖRF6699BHZZ | AU         |          | C         | Core (BNF28)                                    |
| 56  | QCNW-3045BHZZ | AN         |          | C         | Pb BT cable                                     |
| 57  | RCÖRF2341BHZZ | AL         |          | C         | Flat core (HFP-40-6.5-12)                       |
| 58  | PSHEP2892BHZZ | AP         |          | C         | Waterproofing sheet                             |
| 60  | HPNLC2480BHZZ | AY         |          | D         | LCD panel                                       |
| 61  | CCABB2535BHZZ | AN         |          | D         | Pop up cabinet                                  |
| 62  | QCNW-7879BHZZ | AP         |          | C         | Flat cable (5P)                                 |
| 63  | CPWBN2857BH02 | BT         | N        | E         | LCD PWB unit (with CN16P)                       |
| 65  | QCNW-3143BHZZ | AU         | N        | C         | LCD cable (16P)                                 |
| 66  | LHLDW2383BHZZ | AD         |          | C         | Motor gum holder                                |
| 67  | QCNW-3129BHZZ | AD         |          | C         | GND wire 10(to KEYBOARD)                        |
| 68  | QCNW-3111BHZZ | AF         |          | C         | GND wire (KEYBORD GND)                          |
| 69  | QCNW-3038BHZZ | AE         |          | C         | FDD GND wire                                    |
| 70  | RCÖRF6697BHZZ | AF         |          | C         | Core (TC18A15)                                  |
| 71  | RCÖRF6700BHZZ | AS         |          | C         | Core (BNF-14)                                   |
| 72  | XEPSD30P08000 | AA         |          | C         | Screw (3×8)                                     |
| 73  | XHBSD30P04000 | AA         |          | C         | Screw (3×4) [EARTH]                             |
| 101 | CMÖTM2319BHZZ | AY         |          | E         | Motor unit (MOTOR+MOTOR GUM) [include No.31,35] |

1 Exteriors



RCP00384

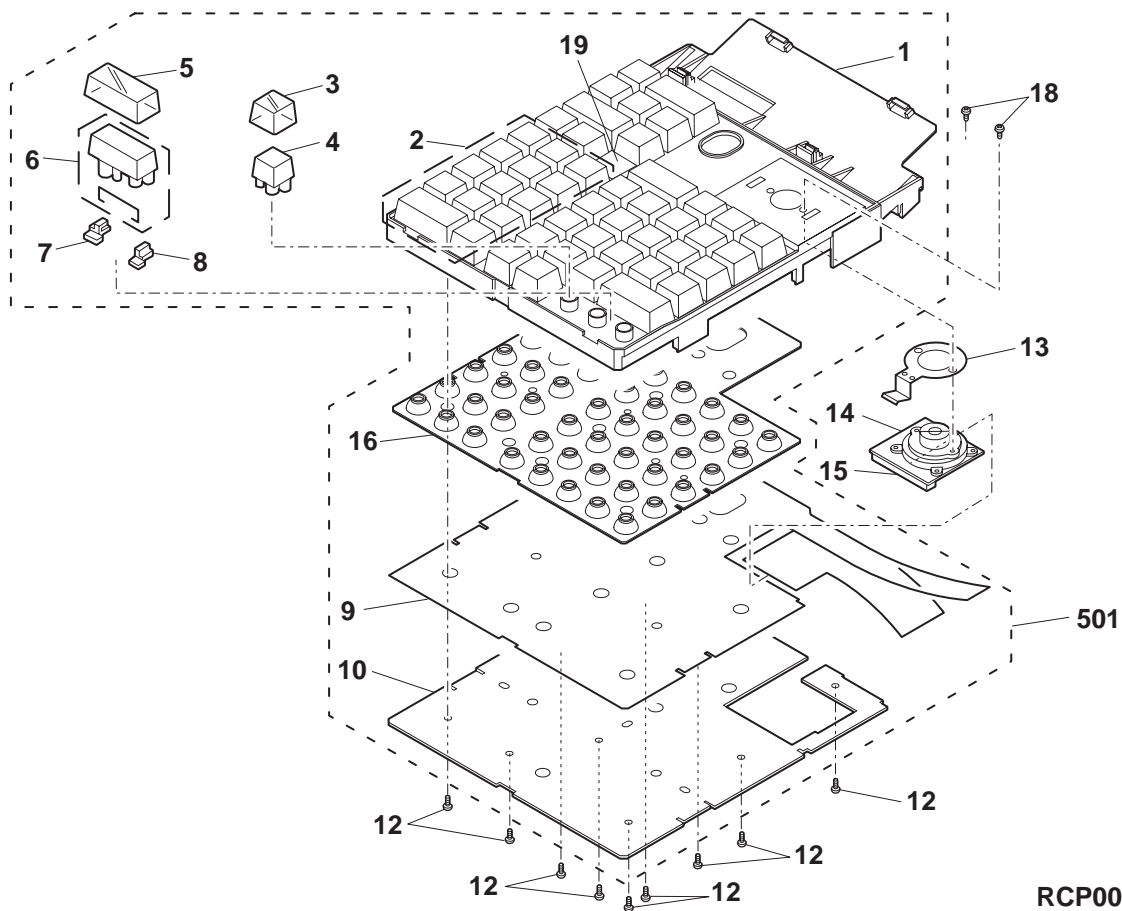
2 Keyboard unit

| NO. | PARTS CODE    | PRICE RANK | NEW MARK | PART RANK | DESCRIPTION                             |
|-----|---------------|------------|----------|-----------|---|
| 1   | LFRM-2360BHZA | BC         |          | D         | Key frame                               |
| 2   | JKNBZ6905BHZZ | AF         |          | C         | Key top (0)                             |
|     | JKNBZ6908BHZZ | AK         |          | C         | Key top (.)                             |
|     | JKNBZ6909BHZZ | AK         |          | C         | Key top (X)                             |
|     | JKNBZ6911BHZZ | AK         |          | C         | Key top (1)                             |
|     | JKNBZ6912BHZZ | AK         |          | C         | Key top (2)                             |
|     | JKNBZ6913BHZZ | AK         |          | C         | Key top (3)                             |
|     | JKNBZ6914BHZZ | AK         |          | C         | Key top (4)                             |
|     | JKNBZ6915BHZZ | AK         |          | C         | Key top (5)                             |
|     | JKNBZ6916BHZZ | AK         |          | C         | Key top (6)                             |
|     | JKNBZ6917BHZZ | AK         |          | C         | Key top (7)                             |
|     | JKNBZ6918BHZZ | AK         |          | C         | Key top (8)                             |
|     | JKNBZ6919BHZZ | AK         |          | C         | Key top (9)                             |
|     | JKNBZ6920BHZZ | AK         |          | C         | Key top (00)                            |
|     | JKNBZ6907BHZZ | AK         |          | C         | Key top (CL)                            |
| 3   | JKNBZ6897BHSA | AH         |          | C         | Key cap (1x1)                           |
| 4   | JKNBZ6896BHZA | AG         |          | C         | Key top (1x1)                           |
| 5   | JKNBZ6899BHSA | AK         |          | C         | Key cap (1x2)                           |
| 6   | JKNBZ6898BHZZ | AH         |          | C         | Key top (1x2)                           |
| 7   | LHLDZ6837BHZZ | AE         |          | C         | Holder L (YELLOW)                       |
| 8   | LHLDZ6836BHZZ | AE         |          | C         | Holder R (WHITE)                        |
| 9   | PSHEP2875BHZZ | BD         |          | C         | Sheet ass'y                             |
| 10  | LPLTM2355BHZZ | AX         |          | C         | Key plate                               |
| 12  | XEBSD30P06000 | AA         |          | C         | Screw (3x6)                             |
| 13  | LANGQ7604BHZZ | AG         |          | C         | Mode sw angle                           |
| 14  | LKGiW0001BHZA | AS         |          | B         | Mode sw(body)                           |
| 15  | QCNCM7136BHZZ | AB         |          | C         | Connector (MLX 5229-13APB)              |
| 16  | PGUMM2407BHZZ | BA         |          | C         | Key rubber                              |
| 18  | XJPSP30P06000 | AA         |          | C         | Screw (3x6) [MODE SW]                   |
| 19  | JKNBZ6902BHSA | AH         |          | C         | Dummy key (1x1)                         |
| 101 | CLABH2496BH04 | AX         |          | D         | Key label                               |
| 501 | DUNTK3933BHZA | BN         |          | E         | Key board unit [include No.1~10,16,101] |

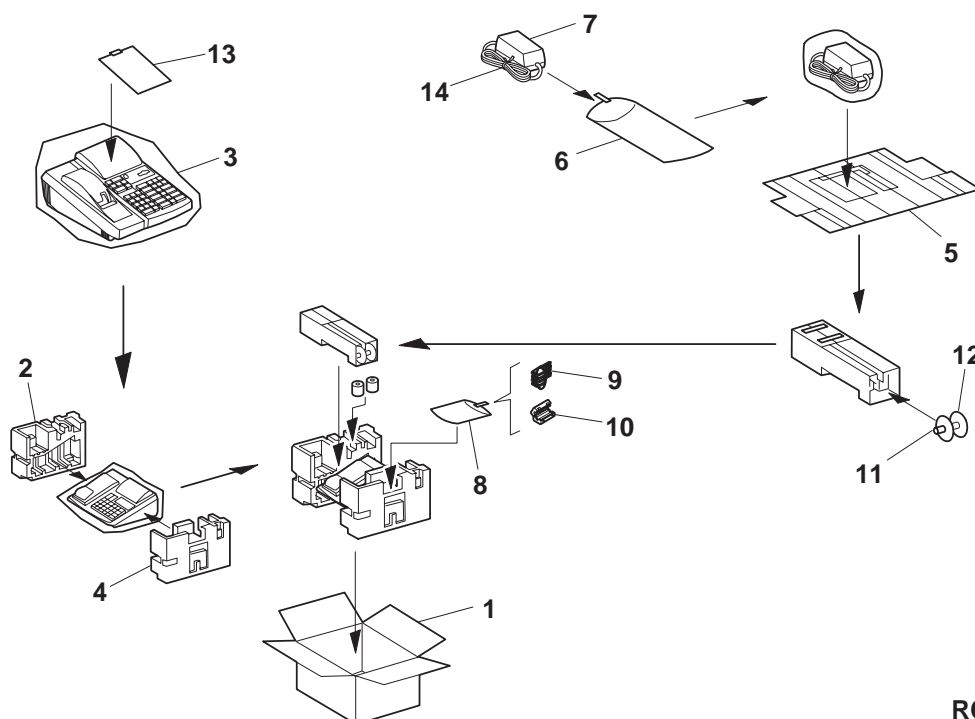
3 Packing material & Accessories

| NO. | PARTS CODE    | PRICE RANK | NEW MARK | PART RANK | DESCRIPTION                     |
|-----|---------------|------------|----------|-----------|---------------------------------|
| 1   | SPAKC3077BHSG | AY         | N        | D         | Packing case                    |
| 2   | SPAKA3078BHZZ | AP         |          | D         | Packing add L                   |
| 3   | SSAKH0021SCZZ | AC         |          | D         | Vinyl bag (590x640mm)           |
| 4   | SPAKA3078BHZZ | AP         |          | D         | Packing add R                   |
| 5   | SPAKA3095BHZZ | AV         |          | D         | Sleeve                          |
| 6   | SSAKH3015CCZZ | AA         |          | D         | Vinyl bag (200x300mm)           |
| 7   | DUNT-5973BHZZ | BL         |          | E         | Adapter unit                    |
| 8   | SSAKH3012CCZZ | AA         |          | D         | Vinyl bag (80x120mm)            |
| 9   | LKGiM7110BHZZ | AE         |          | B         | MA key (MA)                     |
|     | LKGiM7111BHZZ | AE         |          | B         | OP key (OP)                     |
| 10  | RCORF6699BHZZ | AU         |          | C         | Core (BNF28)                    |
| 11  | PGiDH2398BHZZ | AF         |          | D         | P/G wheel                       |
| 12  | UREL-6631BHZZ | AH         |          | D         | Spool                           |
| 13  | TCADH6788BHZA | AC         |          | D         | Caution card (Black)            |
| 14  | UBNDA6629BHZZ | AA         |          | C         | AC cord band (4mmx200mm)(Green) |

**2** Keyboard unit



**3** Packing material & Accessories



## 4 Main PWB unit

| NO. | PARTS CODE      | PRICE RANK | NEW MARK | PART RANK | DESCRIPTION  |
|-----|-----------------|------------|----------|-----------|--|
| 1   | LX-BZ6776BHZZ   | AA         |          | C         | Screw [Q8(for HEAT SINK fixed)]                                    |
| 2   | PRDAF2375BHZZ   | AH         |          | C         | Heat sink A [Q8]   |
| 3   | PRDAF2376BHZZ   | AG         |          | C         | Heat sink B [Q8]   |
| 4   | PRDAF6656BHZZ   | AK         |          | C         | Heat sink [Q8]   |
| 5   | QCNCM1101BHZZ   | AC         |          | C         | Connector (5273-2)(2P) [CN1]                                       |
| 6   | QCNCM5278NCZ    | AC         |          | C         | Connector (3pin)(5046-03A) [CN10]                                  |
| 7   | QCNCM6865BH0B   | AB         |          | C         | Connector (5267-02A) [CN11]  |
| 8   | QCNCM6865BH1A   | AE         |          | C         | Connector (Mode S/W)(5267-11A) [CN5]                               |
| 9   | QCNCM6879RC1F   | AD         |          | C         | Connector (16pin) [CN23]   |
| 10  | QCNCM7125BH0I   | AN         |          | C         | Connector ((9P) MLX 87023-6066)) [CN9]                             |
| 11  | QCNCW2822BH2F   | AH         |          | C         | Connector (52045-2645) [CN7]                                       |
| 12  | QCNCW2822BH3D   | AK         |          | C         | Connector (K/B)(52045-3445) [CN8]                                  |
| 13  | QCNCW7081BHZZ   | AB         |          | C         | Connector (2P)(5267-02A)(Blue) [CN4]                               |
| 14  | QCNCW7287BH0B   | AG         |          | C         | Connector (PB BAT)(5219-02A) [CN2]                                 |
| 15  | QCNW-3050BHZZ   | AE         |          | C         | GND wire (AWG18) [G4-IC3:10]                                       |
| 16  | QFS-C1035CCZZ   | AE         |          | A         | Fuse (1.6A 250V) [F1]  |
| 17  | QFS-C2521TAZZ   | AE         |          | A         | Fuse (T2.5AL/250V) [F2]  |
| 18  | QFSDH2109AFZZ   | AC         |          | C         | Fuse holder (HD2109AF) [F1,F2]                                     |
| 19  | QSÖCZ2042SC32   | AE         |          | C         | IC socket (32pin) [IC17]   |
| 20  | RALMB6646BHZZ   | AQ         |          | B         | Buzzer (RALMB6646BHZA) [BZ1]                                       |
| 21  | RC-EZ106ARC1A   | AD         |          | C         | Capacitor (10WV 10µF) [C15]  |
| 22  | RC-EZ106ARC1A   | AD         |          | C         | Capacitor (10WV 10µF) [C26]  |
| 23  | RCiLC2415BHZZ   | AH         |          | C         | Coil (22µH) [L3]   |
| 23  | RCiLC2416BHZZ   | AH         |          | C         | Coil (170µH) [L2]  |
| 24  | RCiLC6653BHZZ   | AS         |          | C         | Choke coil (180µH) [L1]  |
| 25  | RCiLZ1003BHZZ   | AF         |          | C         | Dip coil (BFW7550R2) [BD1,BD2]                                     |
| 26  | RC-KZ1054CCZZ   | AB         |          | C         | Capacitor (50WV 0.1µF)(RPE132-906) [Post-work]                     |
| 27  | RCÖRF2337BHZZ   | AN         |          | C         | Ferrite core (BFR601009C8NG) [FB10,FB11]                           |
| 28  | RCÖRF7002BHZZ   | AE         |          | C         | Chip core (EFCB322513TS) [FB1,2,3,4,5,6,7,8,12]                    |
| 29  | RCRSP6676RCZZ   | AG         |          | B         | X-TAL (32.768KHz) [X1]   |
| 30  | RCRSZ2401RCZZ   | AL         |          | B         | X-TAL (MA-406/12MHz) [X3]  |
| 31  | RVR-M5318QCZZ   | AC         |          | B         | Variable resistor (5K)(8V3P) [VR1]                                 |
| 32  | VCCCTV1HH100J   | AA         |          | C         | Capacitor (50WV 10PF) [C16,30]                                     |
| 33  | VCCCTV1HH101J   | AA         |          | C         | Capacitor (50WV 100PF) [C35,138,149]                               |
| 33  | VCCCTV1HH101J   | AA         |          | C         | Capacitor (50WV 100PF) [C150,160]                                  |
| 34  | VCCCTV1HH120J   | AA         |          | C         | Capacitor (50WV 12pF) [C29]  |
| 35  | VCCCTV1HH150J   | AA         |          | C         | Capacitor (50WV 15PF) [C32]  |
| 36  | VCCCTV1HH221J   | AA         |          | C         | Capacitor (50WV 220PF) [C111]                                      |
| 37  | VCCCTV1HH330J   | AA         |          | C         | Capacitor (50WV 33pF) [C7,8,9,10,11,12,13,14,17,18,19,20,21]       |
| 37  | VCCCTV1HH330J   | AA         |          | C         | Capacitor (50WV 33pF) [C22,23,24,25,27,28,36,37,38,39,40,41,42]    |
| 37  | VCCCTV1HH330J   | AA         |          | C         | Capacitor (50WV 33pF) [C43,44,45,104]                              |
| 38  | VCEAEU1CW106M   | AA         |          | C         | Capacitor (16WV 10µF) [C4,34,50,94]                                |
| 38  | VCEAEU1CW106M   | AA         |          | C         | Capacitor (16WV 10µF) [C5]   |
| 39  | VCEAGA1CW107M   | AC         |          | C         | Capacitor (100µF/16V) [C61]  |
| 40  | VCEAGA1CW226M   | AB         |          | C         | Capacitor (16WV 22µF) [C151]                                       |
| 41  | VCEAGA1CW337M   | AB         |          | C         | Capacitor (16WV 330µF) [C48,65]                                    |
| 42  | VCEAGA1HW106M   | AA         |          | C         | Capacitor (50WV 10µF) [C51,52]                                     |
| 43  | VCEAGA1HW335M   | AB         |          | C         | Capacitor (50WV 3.3µF) [C68]                                       |
| 44  | VCEAGA1HW474M   | AB         |          | C         | Capacitor (50WV 0.47µF) [C108]                                     |
| 45  | VCEAGA1VW108M   | AG         |          | C         | Capacitor (1000µF/35V) [C59]                                       |
| 46  | VCEAGA1VW228M   | AK         |          | C         | Capacitor (2200µF/35V) [C66]                                       |
| 47  | VCEAGD1CW108M   | AE         |          | C         | Capacitor (16WV 1000µF) [C64]                                      |
| 48  | VCEAGD1CW478M   | AP         |          | C         | Capacitor (4700µF/16V) [C47,83]                                    |
| 49  | VCEAJA1CW106M   | AB         |          | C         | Capacitor (16WV 10µF) [C1,72,73,135,137,141,143,148]               |
| 50  | VCKRTQ1CX474K   | AD         |          | C         | Capacitor (16WV 0.47µF) [C62]                                      |
| 51  | VCKYTV1CB474K   | AC         |          | C         | Capacitor (16WV 0.47µF) [C113]                                     |
| 52  | VCKYTV1HB102K   | AA         |          | C         | Capacitor (50WV 1000PF) [C78,95,96,97,98,99]                       |
| 53  | VCKYTV1HB103K   | AB         |          | C         | Capacitor (50WV 0.010µF) [C84,85,86,88]                            |
| 54  | VCKYTV1HB152K   | AA         |          | C         | Capacitor (50WV 1500PF) [C58]                                      |
| 55  | VCKYTV1HF104Z   | AA         |          | C         | Capacitor (50WV 0.10µF) [C2,75,91,92,136,140]                      |
| 55  | VCKYTV1HF104Z   | AA         |          | C         | Capacitor (50WV 0.10µF) [C3,6,33,53,54,63,67,69,70,71,74,76]       |
| 55  | VCKYTV1HF104Z   | AA         |          | C         | Capacitor (50WV 0.10µF) [C77,80,81,82,87,89,90,93,109,134,142,152] |
| 56  | VHD1SR159// -1  | AF         |          | B         | Chip diode (1SR159-200) [D32]                                      |
| 57  | VHD1SS355// -1  | AB         |          | B         | Diode (1SS355) [D3,12,14,15,16,17,18,19,20]                        |
| 57  | VHD1SS355// -1  | AB         |          | B         | Diode (1SS355) [D25,29,30,33,34,35]                                |
| 58  | VHDD10SC4M//1   | AK         |          | B         | Diode (D10SC4M)(VHDD1OSC4M//1) [D26]                               |
| 59  | VHDFMB-G24H/1   | AH         |          | B         | Diode (FMG-G24H) [D5,11]   |
| 60  | VHDRB160L-401   | AG         |          | B         | Diode (RB160L-40) [D7,8,9,10]                                      |
| 61  | VHD1SS355// -1  | AB         |          | B         | Diode (1SS355) [D21:Only 1st lot used]                             |
| 61  | VHDRB501V40-1   | AD         |          | B         | Diode (RB501V-40) [D21:FROM 2nd lot use]                           |
| 62  | VHEMTZJ6.2C-1   | AC         |          | B         | Zener diode (MTZJ 6.2C) [ZD2]                                      |
| 63  | VHEPTZ6.2A// -1 | AH         |          | B         | Zener diode (PTZ6.2A) [ZD3]  |
| 64  | VHEPTZ9.1B+ -1  | AG         |          | B         | Zener diode (PTZ9.1B) [ZD4]  |
| 65  | VHEUDZS8.2B-1   | AC         |          | B         | Zener diode (UDZ8.2B)(VHEUDZ8.2B/-1) [ZD5]                         |
| 66  | VHHRXE135// -1  | AG         |          | B         | Poly sw (RXE135) [F3]  |
| 67  | VHi30624MG240   | BB         |          | B         | CPU (M30624MG240) [IC2]  |
| 68  | VHi74HC138DR/   | AK         |          | B         | IC (SN74HC138DR) [IC24]  |
| 69  | VHi27020RBI1A   | BG         | N        | B         | EP-ROM (2M)(27020RBI1A) [IC17]                                     |
| 70  | VHiBA00ASFP-1   | AR         |          | B         | IC (BA00ASFP) [IC28]   |
| 71  | VHiBA10393F-1   | AC         |          | B         | IC (BA10393F) [IC19]   |

## 4 Main PWB unit

| NO. | PARTS CODE     | PRICE RANK | NEW MARK | PART RANK | DESCRIPTION   |
|-----|----------------|------------|----------|-----------|---|
| 72  | VHiBA7812FP-E  | AK         |          | B         | IC (BA7812FP-E2) [IC6]  |
| 73  | VHiHM128F12SL  | BN         |          | B         | IC (HM128F12SL) [IC4]   |
| 74  | VHiKiA431F/-   | AK         |          | B         | IC (KIA431F) [IC1]  |
| 75  | VHiLB1843V/-   | AM         |          | B         | IC (LB1843V) [IC14,15]  |
| 76  | VHiMAX1627ESA  | BA         |          | B         | IC (MAX1627) [IC9]  |
| 77  | VHiMAX211CAI-  | BB         |          | B         | IC (MAX211) [IC16]  |
| 78  | VHiMC34063AM1  | AG         |          | B         | IC (MC34063AM1) [IC8]   |
| 79  | VHiMC74HC123F  | AM         |          | B         | IC (74HC123)(VHISN74HC123D)(VHIMC74HC123-) [IC13]                   |
| 80  | VHiSN74HC245D  | AL         |          | B         | IC (SN74HC245D) [IC26]  |
| 81  | VHiSN74HC273D  | AN         |          | B         | IC (74HC273DW) [IC3]  |
| 82  | VHiSN74HC32DR  | AG         |          | B         | IC (SN74HC32D) [IC11]   |
| 83  | VHiSN74HC374D  | AL         |          | B         | IC (SN74HC374D) [IC25,27]   |
| 84  | VHiW42C3103G/- | AU         |          | B         | IC (W42C31-03G) [IC18]  |
| 85  | VHViCPS0.5/-   | AF         |          | B         | IC-protector (ICPS0.5) [ICP1]                                       |
| 86  | VRS-HT3DG3R9J  | AG         |          | C         | Resistor (2W 3.9Ω ±5%) [R149,150]                                   |
| 87  | VRS-RE3AAR22J  | AA         |          | C         | Resistor (1W 0.22Ω ±5%) [R66]                                       |
| 88  | VRS-TQ2BB102J  | AA         |          | C         | Resistor (1/4W 1KΩ±5%) [R144,145]                                   |
| 89  | VRS-TQ2BB1R0J  | AA         |          | C         | Resistor (1/4W 1Ω ±5%) [R106,108,133,134]                           |
| 90  | VRS-TS2AD000J  | AA         |          | C         | Resistor (1/10W 0Ω ±5%) [R138,199]                                  |
| 91  | VRS-TS2AD101J  | AA         |          | C         | Resistor (1/10W 100Ω ±5%) [R122,123,124,125,126]                    |
| 92  | VRS-TS2AD102F  | AA         |          | C         | Resistor (1/10W 1KΩ ±1%) [R105,131]                                 |
| 93  | VRS-TS2AD103F  | AA         |          | C         | Resistor (1/10W 10KΩ ±1%) [R141]                                    |
| 94  | VRS-TS2AD103J  | AA         |          | C         | Resistor (1/10W 10KΩ ±5%) [R5,6,7,8,9,10,11,12,13,14,15,16,17,18]   |
|     | VRS-TS2AD103J  | AA         |          | C         | Resistor (1/10W 10KΩ ±5%) [R19,22,24,25,27,28,29,30,31,32,33,34,45] |
|     | VRS-TS2AD103J  | AA         |          | C         | Resistor (1/10W 10KΩ ±5%) [R23,26,46,47,85,91,94,95]                |
|     | VRS-TS2AD103J  | AA         |          | C         | Resistor (1/10W 10KΩ ±5%) [R119,121,135,200,206]                    |
|     | VRS-TS2AD103J  | AA         |          | C         | Resistor (1/10W 10KΩ ±5%) [R127,128,140,203,205]                    |
| 95  | VRS-TS2AD104J  | AA         |          | C         | Resistor (1/10W 100KΩ ±5%) [R92,93,118,204]                         |
| 96  | VRS-TS2AP112F  | AB         |          | C         | Resistor (1/10W 1.1KΩ ±1%) [R76]                                    |
| 97  | VRS-TS2AD122J  | AA         |          | C         | Resistor (1/10W 1.2KΩ ±5%) [R55,88]                                 |
| 98  | VRS-TS2AD123J  | AA         |          | C         | Resistor (1/10W 12KΩ ±5%) [R207]                                    |
| 99  | VRS-TS2AD133F  | AA         |          | C         | Resistor (1/10W 13KΩ ±1%) [R142]                                    |
| 100 | VRS-TS2AD151J  | AA         |          | C         | Resistor (1/10W 150Ω ±5%) [R79]                                     |
| 101 | VRS-TS2AD152J  | AA         |          | C         | Resistor (1/10W 1.5KΩ ±5%) [R52]                                    |
| 102 | VRS-TS2AD153J  | AA         |          | C         | Resistor (1/10W 15KΩ ±5%) [R63,65,130]                              |
| 103 | VRS-TS2AD181J  | AA         |          | C         | Resistor (1/10W 180Ω ±5%) [R51]                                     |
|     | VRS-TS2AD181J  | AA         |          | C         | Resistor (1/10W 180Ω ±5%) [R78]                                     |
| 104 | VRS-TS2AD182J  | AA         |          | C         | Resistor (1/10W 1.8KΩ ±5%) [R96]                                    |
| 105 | VRS-TS2AD183J  | AA         |          | C         | Resistor (1/10W 18KΩ ±5%) [R48,75,86,97]                            |
| 106 | VRS-TS2AD202J  | AA         |          | C         | Resistor (1/10W 2KΩ ±5%) [R20]                                      |
| 107 | VRS-TS2AD221J  | AA         |          | C         | Resistor (1/10W 220Ω ±5%) [R99,101]                                 |
|     | VRS-TS2AD221J  | AA         |          | C         | Resistor (1/10W 220Ω ±5%) [R100]                                    |
| 108 | VRS-TS2AD222J  | AA         |          | C         | Resistor (1/10W 2.2KΩ ±5%) [R62,64,129]                             |
| 109 | VRS-TS2AD223J  | AA         |          | C         | Resistor (1/10W 22KΩ ±5%) [R82]                                     |
| 110 | VRS-TS2AD241J  | AA         |          | C         | Resistor (1/10W 240Ω ±5%) [R35]                                     |
| 111 | VRS-TS2AD242F  | AB         |          | C         | Resistor (1/10W 2.4KΩ ±1%) [R202]                                   |
| 112 | VRS-TS2AD272F  | AA         |          | C         | Resistor (1/10W 2.7KΩ ±1%) [R116]                                   |
| 113 | VRS-TS2AD302F  | AB         |          | C         | Resistor (1/10W 3.0KΩ ±1%) [R107,117]                               |
| 114 | VRS-TS2AD303F  | AA         |          | C         | Resistor (1/10W 30KΩ ±1%) [R84]                                     |
| 115 | VRS-TS2AD330J  | AA         |          | C         | Resistor (1/10W 33Ω ±5%) [R137]                                     |
| 116 | VRS-TS2AD331J  | AA         |          | C         | Resistor (1/10W 330Ω ±5%) [R1]                                      |
|     | VRS-TS2AD331J  | AA         |          | C         | Resistor (1/10W 330Ω ±5%) [R146]                                    |
| 117 | VRS-TS2AD332F  | AA         |          | C         | Resistor (1/10W 3.3KΩ ±1%) [R115]                                   |
| 118 | VRS-TS2AD332J  | AA         |          | C         | Resistor (1/10W 3.3KΩ ±5%) [R54]                                    |
|     | VRS-TS2AD332J  | AA         |          | C         | Resistor (1/10W 3.3KΩ ±5%) [R87]                                    |
| 119 | VRS-TS2AD333F  | AB         |          | C         | Resistor (1/10W 33KΩ ±1%) [R89]                                     |
| 120 | VRS-TS2AD362F  | AA         |          | C         | Resistor (1/10W 3.6KΩ ±1%) [R77]                                    |
| 121 | VRS-TS2AD472J  | AA         |          | C         | Resistor (1/10W 4.7KΩ ±5%) [R132]                                   |
|     | VRS-TS2AD472J  | AA         |          | C         | Resistor (1/10W 4.7KΩ ±5%) [R148]                                   |
| 122 | VRS-TS2AD473J  | AA         |          | C         | Resistor (1/10W 47KΩ ±5%) [R155-163,210]                            |
| 123 | VRS-TS2AD561J  | AA         |          | C         | Resistor (1/10W 560Ω ±5%) [R147]                                    |
| 124 | VRS-TS2AD562F  | AA         |          | C         | Resistor (1/10W 5.6KΩ ±1%) [R201]                                   |
| 125 | VRS-TS2AD563J  | AA         |          | C         | Resistor (1/10W 56KΩ ±5%) [R68,69,70,71,83]                         |
| 126 | VRS-TS2AD680F  | AA         |          | C         | Resistor (1/10W 68Ω ±1%) [R67]                                      |
| 127 | VRS-TS2AD821J  | AA         |          | C         | Resistor (1/10W 820Ω ±5%) [R56]                                     |
| 128 | VRS-TS2EP151J  | AA         |          | C         | Resistor (1/4W 150Ω ±5%) [R103]                                     |
| 129 | VRS-TX2HP222J  | AA         |          | C         | Resistor (1/2W 2.2KΩ ±5%) [R143]                                    |
| 130 | VS2SB1340/-/-  | AL         |          | B         | Transistor (2SB1340) [Q13]  |
| 131 | VS2SB883-/-/-  | AL         |          | B         | Transistor (2SB883) [Q8]  |
| 132 | VS2SC2412K/-   | AB         |          | B         | Transistor (2SC2412K) [Q1]  |
|     | VS2SC2412K/-   | AB         |          | B         | Transistor (2SC2412K) [Q21]   |
| 133 | VS2SD2170/-/-  | AH         |          | B         | Transistor (2SD2170) [Q4,7]   |
| 134 | VS2SJ328-Z/-   | AP         |          | B         | Transistor (2SJ328-Z) [Q9,16]                                       |
| 135 | VS2SK2731/-/-  | AD         |          | B         | Chip FET (2SK2731) [Q10,17,18,19]                                   |
|     | VSKRC111S/-/-  | AD         |          | B         | Transistor (KRC111S) [Q20:Only 1st lot used]                        |
|     | VS2SK2731/-/-  | AD         |          | B         | Chip FET (2SK2731) [Q20:From 2nd lot use]                           |
| 136 | VSKRA106S/-/-  | AF         |          | B         | Transistor (KRA106S) [Q5,15]  |
| 137 | VSKRC106S/-/-  | AD         |          | B         | Transistor (KRC106S) [Q2,6,14]                                      |
| 138 | VSKTA1664/-/-  | AD         |          | B         | Transistor (KTA1664) [Q3]   |
| 139 | XHPSD30P0600   | AA         |          | C         | Screw (3×6) [Q8(for HEAT SINK fixed)]                               |

**4** Main PWB unit

| NO. | PARTS CODE    | PRICE RANK | NEW MARK | PART RANK | DESCRIPTION                       |
|-----|---------------|------------|----------|-----------|-----------------------------------|
|     | (Unit)        |            |          |           |                                   |
| 901 | CPWBN2900BH01 | CC         | N        | E         | Main PWB unit [Only 1st lot used] |
|     | CPWBN2900BH02 | CD         | N        | E         | Main PWB unit [From 2nd lot use]  |
|     |               |            |          |           |                                   |
|     |               |            |          |           |                                   |

**5** Key I/F PWB unit

| NO. | PARTS CODE     | PRICE RANK | NEW MARK | PART RANK | DESCRIPTION   |
|-----|----------------|------------|----------|-----------|---|
| 1   | QCNCW2822BH1A  | AF         |          | C         | Connector (K/B)(52045-1145) [CN10]                                    |
| 2   | QCNCW2822BH2A  | AH         |          | C         | Connector (K/B)(52045-2145) [CN16]                                    |
| 3   | QCNCW2823BH3D  | AK         |          | C         | Connector (52044-3445) [CN15]   |
| 4   | QCNCW2860BH1E  | AH         |          | C         | POP Connector (00-6232-015-104-800) [CN14]                            |
| 5   | QCNCW2865BH0E  | AE         |          | C         | POP Connector (00-6228-005-201-800) [CN14A]                           |
| 6   | QCNW-3035BHZZ  | AE         |          | C         | GND wire (K/B)(AWG18) [GND]   |
| 7   | QCNW-3126BHZZ  | AD         |          | C         | GND wire 7  |
| 8   | QCNW-3127BHZZ  | AE         |          | C         | GND wire 8  |
| 9   | QCNW-3129BHZZ  | AD         |          | C         | GND wire 10(to KEYBOARD)  |
| 10  | QCNW-3131BHZZ  | AE         |          | C         | GND wire 1 (AWG #22)  |
| 11  | QCNW-3132BHZZ  | AC         |          | C         | Signal wire (WHITE)(AWG #22)  |
| 12  | QSW-S0744AFZZ  | AG         |          | B         | Reset switch (SSS312) [S1]  |
| 13  | RC-KZ1054CCZZ  | AB         |          | C         | Capacitor (50WV 0.1μF)(RPE132-906) [C100,101,102,103,104]             |
| 14  | VCEAEU1CW106M  | AA         |          | C         | Capacitor (16WV 10μF) [C105,C106]                                     |
| 15  | VCKYPU1HB101K  | AA         |          | C         | Capacitor (50WV 100PF)(VCKYPA1HB101K) [C107,108,109,110]              |
| 16  | VHDDSS133HV-1  | AA         |          | B         | Diode (DSS133HV) [D21,22,23,24,25,26,27,28,29,30,31,32]               |
| 17  | VHiKiD65083AP  | AM         |          | B         | IC (KID65083AP) [IC17]  |
| 18  | VHiSN74HC138N  | AL         |          | B         | IC (74HC138) [IC18,19]  |
| 19  | VRD-RC2EY103J  | AA         |          | C         | Resistor (1/4W 10KΩ ±5%) [R145]                                       |
| 20  | VRD-RC2EY121J  | AA         |          | C         | Resistor (1/4W 120Ω ±5%) [R148,149,150,151,152,153,154,155,156,157]   |
| 21  | VRD-RC2EY123J  | AA         |          | C         | Resistor (1/4W 12KΩ ±5%) [R134,135,136,137,138,139,140,141,142,143]   |
| 22  | VRD-RC2EY473J  | AA         |          | C         | Resistor (1/4W 47KΩ ±5%) [R127,128,129,130,131,132,133,144]           |
| 23  | VSDTA143ZK/-1  | AB         |          | B         | Transistor (DTA143ZK)(VSKRA101M/-1) [Q29,30,31,32,33,34,35,36,37,38]  |
| 24  | VSDTC114TK/-1  | AA         |          | B         | Transistor (DTC114TK)(VSKRC111M/-1) [Q40]                             |
| 25  | VSKTA1273// -1 | AF         |          | B         | Transistor (KTA1273Y)(VSKTA1273Y/-1) [Q20,21,22,23,24,25,26,27,28,39] |
|     | (Unit)         |            |          |           |   |
| 901 | CPWBF2901BH01  | BF         | N        | E         | Key i/f PWB unit  |
|     |                |            |          |           |   |
|     |                |            |          |           |   |

**6** Pop up PWB unit

| NO. | PARTS CODE     | PRICE RANK | NEW MARK | PART RANK | DESCRIPTION   |
|-----|----------------|------------|----------|-----------|---|
| 1   | QCNCW2860BH0E  | AG         |          | C         | POP Connector (00-6232-005-104-800) [CN2]           |
| 2   | QCNCW2860BH1E  | AH         |          | C         | POP Connector (00-6232-015-104-800) [CN1]           |
| 3   | VHPHDSPPF501-1 | AH         |          | B         | LED (HDSP-F501#S02)(10mm) [FND1,2,3,4,5,6,7,8,9,10] |
| 4   | VRD-RC2EY270J  | AA         |          | C         | Resistor (1/4W 27Ω ±5%) [R1,2,3,4,5,6,7,8]          |
|     | (Unit)         |            |          |           |   |
| 901 | CPWBF7553BH02  | BH         |          | E         | Pop up LED PWB unit                                 |
|     |                |            |          |           |   |
|     |                |            |          |           |   |

**7** DC Jack PWB unit

| NO. | PARTS CODE    | PRICE RANK | NEW MARK | PART RANK | DESCRIPTION      |
|-----|---------------|------------|----------|-----------|------------------|
| 1   | QCNCW2824BHZZ | AQ         |          | C         | DC power jack    |
| 2   | QCNW-3047BHZZ | AL         |          | C         | DC cable         |
|     | (Unit)        |            |          |           |                  |
| 901 | CPWBF2843BH01 | BA         |          | E         | DC Jack PWB unit |
|     |               |            |          |           |                  |
|     |               |            |          |           |                  |
|     |               |            |          |           |                  |
|     |               |            |          |           |                  |
|     |               |            |          |           |                  |
|     |               |            |          |           |                  |
|     |               |            |          |           |                  |
|     |               |            |          |           |                  |
|     |               |            |          |           |                  |
|     |               |            |          |           |                  |
|     |               |            |          |           |                  |
|     |               |            |          |           |                  |
|     |               |            |          |           |                  |
|     |               |            |          |           |                  |
|     |               |            |          |           |                  |
|     |               |            |          |           |                  |
|     |               |            |          |           |                  |
|     |               |            |          |           |                  |
|     |               |            |          |           |                  |
|     |               |            |          |           |                  |





## ■ Index

| PARTS CODE     | NO.   | PRICE RANK | NEW MARK | PART RANK |
|----------------|-------|------------|----------|-----------|
| 【C】            |       |            |          |           |
| CCABB2532BH01  | 1- 2  | AX         |          | D         |
| CCABB2535BHZZ  | 1- 61 | AN         |          | D         |
| CLABH2496BH04  | 2-101 | AX         |          | D         |
| CMOTM2319BHZZ  | 1-101 | AY         |          | E         |
| CPWBF2841BH01  | 1- 37 | AZ         |          | E         |
| /"             | 9-901 | AZ         |          | E         |
| CPWBF2843BH01  | 1- 14 | BA         |          | E         |
| /"             | 7-901 | BA         |          | E         |
| CPWBF2901BH01  | 1- 10 | BF         | N        | E         |
| /"             | 5-901 | BF         | N        | E         |
| CPWBF7553BH02  | 1- 8  | BH         |          | E         |
| /"             | 6-901 | BH         |          | E         |
| CPWBN2842BH01  | 1- 30 | BH         |          | E         |
| /"             | 8-901 | BH         |          | E         |
| CPWBN2857BH02  | 1- 63 | BT         | N        | E         |
| CPWBN2900BH01  | 1- 17 | CC         | N        | E         |
| /"             | 4-901 | CC         | N        | E         |
| CPWBN2900BH02  | 1- 17 | CD         | N        | E         |
| /"             | 4-901 | CD         | N        | E         |
| 【D】            |       |            |          |           |
| DUNT-4104BHZZ  | 1- 38 | BU         |          | E         |
| DUNT-5973BHZZ  | 3- 7  | BL         |          | E         |
| DUNT-K3933BHZA | 2-501 | BN         |          | E         |
| 【G】            |       |            |          |           |
| GCASB2330BHZZ  | 1- 12 | AP         |          | D         |
| GCÖVB2482BHZZ  | 1- 1  | AU         |          | D         |
| GCÖVH2484BHZZ  | 1- 45 | AF         |          | D         |
| GCÖVH2486BHZZ  | 11- 3 | BD         |          | S         |
| GDAi-2344BHZZ  | 1- 23 | AL         |          | D         |
| GF TAB6775BHSD | 1- 22 | AE         |          | D         |
| GLEGG6659BHZZ  | 1- 40 | AE         |          | D         |
| 【H】            |       |            |          |           |
| HDECP2366BHSH  | 1- 4  | AM         | N        | D         |
| HPNLC2480BHZZ  | 1- 60 | AY         |          | D         |
| 【J】            |       |            |          |           |
| JKNBZ6896BHZA  | 2- 4  | AG         |          | C         |
| JKNBZ6897BHSA  | 2- 3  | AH         |          | C         |
| JKNBZ6898BHZZ  | 2- 6  | AH         |          | C         |
| JKNBZ6899BHSA  | 2- 5  | AK         |          | C         |
| JKNBZ6902BHSA  | 2- 19 | AH         |          | C         |
| JKNBZ6903BHSA  | 11- 4 | AR         |          | S         |
| JKNBZ6905BHZZ  | 2- 2  | AF         |          | C         |
| JKNBZ6907BHZZ  | 2- 2  | AK         |          | C         |
| JKNBZ6908BHZZ  | 2- 2  | AK         |          | C         |
| JKNBZ6909BHZZ  | 2- 2  | AK         |          | C         |
| JKNBZ6911BHZZ  | 2- 2  | AK         |          | C         |
| JKNBZ6912BHZZ  | 2- 2  | AK         |          | C         |
| JKNBZ6913BHZZ  | 2- 2  | AK         |          | C         |
| JKNBZ6914BHZZ  | 2- 2  | AK         |          | C         |
| JKNBZ6915BHZZ  | 2- 2  | AK         |          | C         |
| JKNBZ6916BHZZ  | 2- 2  | AK         |          | C         |
| JKNBZ6917BHZZ  | 2- 2  | AK         |          | C         |
| JKNBZ6918BHZZ  | 2- 2  | AK         |          | C         |
| JKNBZ6919BHZZ  | 2- 2  | AK         |          | C         |
| JKNBZ6920BHZZ  | 2- 2  | AK         |          | C         |
| 【K】            |       |            |          |           |
| Ki-ÖB2365RCZZ  | 1- 29 | BM         |          | E         |
| 【L】            |       |            |          |           |
| LANGK2850BHZZ  | 1- 42 | AQ         |          | C         |
| LANGQ2851BHZZ  | 1- 34 | AF         |          | C         |
| LANGQ7604BHZZ  | 2- 13 | AG         |          | C         |
| LANGT2849BHZZ  | 1- 46 | AF         |          | C         |
| LCHSM2375BHZZ  | 1- 39 | AW         |          | C         |
| LFRM-2360BHZA  | 2- 1  | BC         |          | D         |
| LHLDW2383BHZZ  | 1- 66 | AD         |          | C         |
| LHLDZ2376BHZZ  | 1- 33 | AR         |          | C         |
| LHLDZ6836BHZZ  | 2- 8  | AE         |          | C         |
| LHLDZ6837BHZZ  | 2- 7  | AE         |          | C         |
| LKGiM7110BHZZ  | 3- 9  | AE         |          | B         |
| LKGiM7111BHZZ  | 3- 9  | AE         |          | B         |
| LKGiM7113BHZZ  | 11- 1 | AF         |          | S         |
| LKGiM7126BHZZ  | 11- 2 | AX         |          | S         |
| LKGiW0001BHZA  | 2- 14 | AS         |          | B         |
| LPLTM2355BHZZ  | 2- 10 | AX         |          | C         |
| LX-BZ2180BHZZ  | 1- 5  | AC         |          | C         |
| LX-BZ6776BHZZ  | 4- 1  | AA         |          | C         |
| LX-BZ6788BHZZ  | 1- 25 | AD         |          | C         |

| PARTS CODE     | NO.   | PRICE RANK | NEW MARK | PART RANK |
|----------------|-------|------------|----------|-----------|
| 【P】            |       |            |          |           |
| PCUSG2407BHZZ  | 1- 13 | AH         |          | C         |
| PCUT-2326BHZZ  | 1- 53 | AF         |          | C         |
| PFiLW2431BHZZ  | 1- 7  | AP         |          | D         |
| PFiLW2433BHZZ  | 1- 48 | AV         |          | D         |
| PGiDH2398BHZZ  | 3- 11 | AF         |          | D         |
| PGUMM2407BHZZ  | 2- 16 | BA         |          | C         |
| PGUMM2437BHZZ  | 1- 31 | AC         |          | C         |
| PRDAF2375BHZZ  | 4- 2  | AH         |          | C         |
| PRDAF2376BHZZ  | 4- 3  | AG         |          | C         |
| PRDAF6656BHZZ  | 4- 4  | AK         |          | C         |
| PRNGP6631BHZZ  | 1- 6  | AK         |          | C         |
| PSHEP2875BHZZ  | 2- 9  | BD         |          | C         |
| PSHEP2884BHZZ  | 1- 24 | AG         |          | C         |
| PSHEP2885BHZZ  | 1- 26 | AK         |          | C         |
| PSHEP2892BHZZ  | 1- 58 | AP         |          | C         |
| 【Q】            |       |            |          |           |
| QCNCM1101BHZZ  | 4- 5  | AC         |          | C         |
| QCNCM5278NCZZ  | 4- 6  | AC         |          | C         |
| QCNCM6865BH0B  | 4- 7  | AB         |          | C         |
| QCNCM6865BH1A  | 4- 8  | AE         |          | C         |
| QCNCM6879RC1F  | 4- 9  | AD         |          | C         |
| QCNCM7125BH0i  | 4- 10 | AN         |          | C         |
| QCNCM7136BHZZ  | 2- 15 | AB         |          | C         |
| QCNCM7176BH0C  | 8- 1  | AC         |          | C         |
| QCNCW2822BH1A  | 5- 1  | AF         |          | C         |
| QCNCW2822BH2A  | 5- 2  | AH         |          | C         |
| QCNCW2822BH2F  | 4- 11 | AH         |          | C         |
| /"             | 8- 2  | AH         |          | C         |
| QCNCW2822BH2J  | 8- 3  | AG         |          | C         |
| QCNCW2822BH3D  | 4- 12 | AK         |          | C         |
| QCNCW2823BH3D  | 5- 3  | AK         |          | C         |
| QCNCW2824BHZZ  | 7- 1  | AQ         |          | C         |
| QCNCW2860BH0E  | 6- 1  | AG         |          | C         |
| QCNCW2860BH1E  | 5- 4  | AH         |          | C         |
| /"             | 6- 2  | AH         |          | C         |
| QCNCW2865BH0E  | 5- 5  | AE         |          | C         |
| QCNCW7081BHZZ  | 4- 13 | AB         |          | C         |
| QCNCW7201BH0i  | 8- 4  | AH         |          | C         |
| QCNCW7287BH0B  | 4- 14 | AG         |          | C         |
| QCNCW-3035BHZZ | 5- 6  | AE         |          | C         |
| QCNCW-3038BHZZ | 1- 69 | AE         |          | C         |
| QCNCW-3041BHZZ | 1- 20 | AP         |          | C         |
| QCNCW-3042BHZZ | 1- 21 | AQ         |          | C         |
| QCNCW-3043BHZZ | 1- 36 | AE         |          | C         |
| QCNCW-3045BHZZ | 1- 56 | AN         |          | C         |
| QCNCW-3047BHZZ | 7- 2  | AL         |          | C         |
| QCNCW-3048BHZZ | 9- 1  | AF         |          | C         |
| QCNCW-3050BHZZ | 4- 15 | AE         |          | C         |
| QCNCW-3063BHZZ | 1- 9  | AL         |          | C         |
| QCNCW-3085BHZZ | 1- 18 | AE         |          | C         |
| QCNCW-3111BHZZ | 1- 68 | AF         |          | C         |
| QCNCW-3126BHZZ | 5- 7  | AD         |          | C         |
| QCNCW-3127BHZZ | 5- 8  | AE         |          | C         |
| QCNCW-3129BHZZ | 1- 67 | AD         |          | C         |
| /"             | 5- 9  | AD         |          | C         |
| QCNCW-3131BHZZ | 5- 10 | AE         |          | C         |
| QCNCW-3132BHZZ | 5- 11 | AC         |          | C         |
| QCNCW-3143BHZZ | 1- 65 | AU         | N        | C         |
| QCNCW-7879BHZZ | 1- 62 | AP         |          | C         |
| QCNCW-7904BHZZ | 1- 50 | AE         |          | C         |
| QFS-C1035CCZZ  | 4- 16 | AE         |          | A         |
| QFS-C2521TAZZ  | 4- 17 | AE         |          | A         |
| QFSD2109AFZZ   | 4- 18 | AC         |          | C         |
| QSÖCZ2042SC32  | 4- 19 | AE         |          | C         |
| QSW-S0744AFZZ  | 5- 12 | AG         |          | B         |
| 【R】            |       |            |          |           |
| RALMB6646BHZZ  | 4- 20 | AQ         |          | B         |
| RC-EZ106ARC1A  | 4- 21 | AD         |          | C         |
| RCiLC2415BHZZ  | 4- 22 | AH         |          | C         |
| RCiLC2416BHZZ  | 4- 23 | AH         |          | C         |
| RCiLC6653BHZZ  | 4- 24 | AS         |          | C         |
| RCiLZ1003BHZZ  | 4- 25 | AF         |          | C         |
| RC-KZ1054CCZZ  | 4- 26 | AB         |          | C         |
| /"             | 5- 13 | AB         |          | C         |
| RCÖRF2337BHZZ  | 4- 27 | AN         |          | C         |
| RCÖRF2341BHZZ  | 1- 57 | AL         |          | C         |
| RCÖRF2343BHZZ  | 1- 49 | AR         |          | C         |
| RCÖRF6697BHZZ  | 1- 70 | AF         |          | C         |
| RCÖRF6699BHZZ  | 1- 55 | AU         |          | C         |
| /"             | 3- 10 | AU         |          | C         |

| PARTS CODE      | NO.    | PRICE RANK | NEW MARK | PART RANK |
|-----------------|--------|------------|----------|-----------|
| RCORF6700BHZZ   | 1- 71  | AS         |          | C         |
| RCORF7002BHZZ   | 4- 28  | AE         |          | C         |
| RCSRSP6676RCZZ  | 4- 29  | AG         |          | B         |
| RCRSZ2401RCZZ   | 4- 30  | AL         |          | B         |
| RMOTM6633BHZZ   | 1- 35  | AY         |          | B         |
| RVR-M5318QCZZ   | 4- 31  | AC         |          | B         |
| [S]             |        |            |          |           |
| SPAKA3078BHZZ   | 3- 2   | AP         |          | D         |
| SPAKA3078BHZZ   | 3- 4   | AP         |          | D         |
| SPAKA3095BHZZ   | 3- 5   | AV         |          | D         |
| SPAKC3077BHSG   | 3- 1   | AY         | N        | D         |
| SSAKH0021SCZZ   | 3- 3   | AC         |          | D         |
| SSAKH3012CCZZ   | 3- 8   | AA         |          | D         |
| SSAKH3015CCZZ   | 3- 6   | AA         |          | D         |
| [T]             |        |            |          |           |
| TCADH6788BHZA   | 3- 13  | AC         |          | D         |
| TLABZ2503BHZZ   | 1- 47  | AC         |          | D         |
| TLABZ7107BHSA   | 1- 15  | AC         |          | D         |
| TPAPR2381RCZZ   | 10- 1  | AY         |          | S         |
| [U]             |        |            |          |           |
| UBATN2339BHZZ   | 1- 44  | BQ         |          | B         |
| UBATZ6661BHZZ   | 1- 19  | BA         |          | B         |
| UBNDA6629BHZZ   | 3- 14  | AA         |          | C         |
| UKOG-6634RCZZ   | 11- 12 | AX         |          | S         |
| UKOG-6705RCZZ   | 11- 11 | BC         |          | S         |
| UKOG-6725BHZZ   | 11- 13 | BB         |          | S         |
| UREL-6631BHZZ   | 3- 12  | AH         |          | D         |
| [V]             |        |            |          |           |
| VCCCTV1HH100J   | 4- 32  | AA         |          | C         |
| VCCCTV1HH101J   | 4- 33  | AA         |          | C         |
| VCCCTV1HH120J   | 4- 34  | AA         |          | C         |
| VCCCTV1HH150J   | 4- 35  | AA         |          | C         |
| VCCCTV1HH221J   | 4- 36  | AA         |          | C         |
| VCCCTV1HH330J   | 4- 37  | AA         |          | C         |
| VCEAEU1CW106M   | 4- 38  | AA         |          | C         |
| "               | 5- 14  | AA         |          | C         |
| VCEAGA1CW107M   | 4- 39  | AC         |          | C         |
| VCEAGA1CW226M   | 4- 40  | AB         |          | C         |
| VCEAGA1CW337M   | 4- 41  | AB         |          | C         |
| VCEAGA1HW106M   | 4- 42  | AA         |          | C         |
| VCEAGA1HW335M   | 4- 43  | AB         |          | C         |
| VCEAGA1HW474M   | 4- 44  | AB         |          | C         |
| VCEAGA1VW108M   | 4- 45  | AG         |          | C         |
| VCEAGA1VW228M   | 4- 46  | AK         |          | C         |
| VCEAGD1CW108M   | 4- 47  | AE         |          | C         |
| VCEAGD1CW478M   | 4- 48  | AP         |          | C         |
| VCEAJA1CW106M   | 4- 49  | AB         |          | C         |
| VCKRTQ1CX474K   | 4- 50  | AD         |          | C         |
| VCKYBT1HB331K   | 9- 2   | AC         |          | C         |
| VCKYPU1HB101K   | 5- 15  | AA         |          | C         |
| VCKYTV1CB474K   | 4- 51  | AC         |          | C         |
| VCKYTV1HB102K   | 4- 52  | AA         |          | C         |
| VCKYTV1HB103K   | 4- 53  | AB         |          | C         |
| VCKYTV1HB152K   | 4- 54  | AA         |          | C         |
| VCKYTV1HF104Z   | 4- 55  | AA         |          | C         |
| "               | 8- 5   | AA         |          | C         |
| VHD1SR159//--1  | 4- 56  | AF         |          | B         |
| VHD1SS355//--1  | 4- 57  | AB         |          | B         |
| "               | 4- 61  | AB         |          | B         |
| VHDD10SC4M//1   | 4- 58  | AK         |          | B         |
| VHDDSS133HV-1   | 5- 16  | AA         |          | B         |
| VHDFMB-G24H/1   | 4- 59  | AH         |          | B         |
| VHDRB160L-401   | 4- 60  | AG         |          | B         |
| VHDRB501V40-1   | 4- 61  | AD         |          | B         |
| VHEMTZJ6.2C-1   | 4- 62  | AC         |          | B         |
| VHEPTZ6.2A//--1 | 4- 63  | AH         |          | B         |
| VHEPTZ9.1B+--1  | 4- 64  | AG         |          | B         |
| VHEUDZS8.2B-1   | 4- 65  | AC         |          | B         |
| VHHRXE135//--1  | 4- 66  | AG         |          | B         |
| VHi27020RBi1A   | 4- 69  | BG         | N        | B         |
| VHi30624MG240   | 4- 67  | BB         |          | B         |
| VHi74HC138DR/   | 4- 68  | AK         |          | B         |
| VHiBA00ASFP-1   | 4- 70  | AR         |          | B         |
| VHiBA10393F-1   | 4- 71  | AC         |          | B         |
| VHiBA7812FP-E   | 4- 72  | AK         |          | B         |
| VHiHM128F12SL   | 4- 73  | BN         |          | B         |
| VHiKiA431F//--1 | 4- 74  | AK         |          | B         |
| VHiKiD65083AP   | 5- 17  | AM         |          | B         |
| VHiLB1843V//--1 | 4- 75  | AM         |          | B         |
| VHiMAX1627ESA   | 4- 76  | BA         |          | B         |
| VHiMAX211CAi-   | 4- 77  | BB         |          | B         |

| PARTS CODE       | NO.   | PRICE RANK | NEW MARK | PART RANK |
|------------------|-------|------------|----------|-----------|
| VHiMC34063AM1    | 4- 78 | AG         |          | B         |
| VHiMC74HC123F    | 4- 79 | AM         |          | B         |
| VHiSN74HC138N    | 5- 18 | AL         |          | B         |
| VHiSN74HC245D    | 4- 80 | AL         |          | B         |
| VHiSN74HC273D    | 4- 81 | AN         |          | B         |
| VHiSN74HC32DR    | 4- 82 | AG         |          | B         |
| VHiSN74HC374D    | 4- 83 | AL         |          | B         |
| VHiW42C3103G/    | 4- 84 | AU         |          | B         |
| VHPGP2S40J/-1    | 9- 3  | AK         |          | B         |
| VHPHDSPF501-1    | 6- 3  | AH         |          | B         |
| VHV iCPS0.5//--1 | 4- 85 | AF         |          | B         |
| VRD-RC2EY103J    | 5- 19 | AA         |          | C         |
| VRD-RC2EY121J    | 5- 20 | AA         |          | C         |
| VRD-RC2EY123J    | 5- 21 | AA         |          | C         |
| VRD-RC2EY270J    | 6- 4  | AA         |          | C         |
| VRD-RC2EY473J    | 5- 22 | AA         |          | C         |
| VRS-HT3DG3R9J    | 4- 86 | AG         |          | C         |
| VRS-RE3AAR22J    | 4- 87 | AA         |          | C         |
| VRS-TQ2BB102J    | 4- 88 | AA         |          | C         |
| VRS-TQ2BB1R0J    | 4- 89 | AA         |          | C         |
| VRS-TS2AD000J    | 4- 90 | AA         |          | C         |
| VRS-TS2AD101J    | 4- 91 | AA         |          | C         |
| VRS-TS2AD102F    | 4- 92 | AA         |          | C         |
| VRS-TS2AD103F    | 4- 93 | AA         |          | C         |
| VRS-TS2AD103J    | 4- 94 | AA         |          | C         |
| VRS-TS2AD104J    | 4- 95 | AA         |          | C         |
| VRS-TS2AD122J    | 4- 97 | AA         |          | C         |
| VRS-TS2AD123J    | 4- 98 | AA         |          | C         |
| VRS-TS2AD133F    | 4- 99 | AA         |          | C         |
| VRS-TS2AD151J    | 4-100 | AA         |          | C         |
| VRS-TS2AD152J    | 4-101 | AA         |          | C         |
| VRS-TS2AD153J    | 4-102 | AA         |          | C         |
| VRS-TS2AD181J    | 4-103 | AA         |          | C         |
| VRS-TS2AD182J    | 4-104 | AA         |          | C         |
| VRS-TS2AD183J    | 4-105 | AA         |          | C         |
| VRS-TS2AD202J    | 4-106 | AA         |          | C         |
| VRS-TS2AD221J    | 4-107 | AA         |          | C         |
| VRS-TS2AD222J    | 4-108 | AA         |          | C         |
| VRS-TS2AD223J    | 4-109 | AA         |          | C         |
| VRS-TS2AD241J    | 4-110 | AA         |          | C         |
| VRS-TS2AD242F    | 4-111 | AB         |          | C         |
| VRS-TS2AD272F    | 4-112 | AA         |          | C         |
| VRS-TS2AD302F    | 4-113 | AB         |          | C         |
| VRS-TS2AD303F    | 4-114 | AA         |          | C         |
| VRS-TS2AD330J    | 4-115 | AA         |          | C         |
| VRS-TS2AD331J    | 4-116 | AA         |          | C         |
| VRS-TS2AD332F    | 4-117 | AA         |          | C         |
| VRS-TS2AD332J    | 4-118 | AA         |          | C         |
| VRS-TS2AD333F    | 4-119 | AB         |          | C         |
| VRS-TS2AD362F    | 4-120 | AA         |          | C         |
| VRS-TS2AD472J    | 4-121 | AA         |          | C         |
| VRS-TS2AD473J    | 4-122 | AA         |          | C         |
| VRS-TS2AD561J    | 4-123 | AA         |          | C         |
| VRS-TS2AD562F    | 4-124 | AA         |          | C         |
| VRS-TS2AD563J    | 4-125 | AA         |          | C         |
| VRS-TS2AD680F    | 4-126 | AA         |          | C         |
| VRS-TS2AD821J    | 4-127 | AA         |          | C         |
| VRS-TS2AP112F    | 4- 96 | AB         |          | C         |
| VRS-TSEP151J     | 4-128 | AA         |          | C         |
| VRS-TX2HP222J    | 4-129 | AA         |          | C         |
| VS2SB1340//--1   | 4-130 | AL         |          | B         |
| VS2SB883-//--1   | 4-131 | AL         |          | B         |
| VS2SC2412K//--1  | 4-132 | AB         |          | B         |
| VS2SD2170//--1   | 4-133 | AH         |          | B         |
| VS2SJ328-Z//--1  | 4-134 | AP         |          | B         |
| VS2SK2731//--1   | 4-135 | AD         |          | B         |
| VSDTA143ZK//--1  | 5- 23 | AB         |          | B         |
| VSDTC114TK//--1  | 5- 24 | AA         |          | B         |
| VSKRA106S//--1   | 4-136 | AF         |          | B         |
| VSKRC106S//--1   | 4-137 | AD         |          | B         |
| VSKRC111S//--1   | 4-135 | AD         |          | B         |
| VSKTA1273//--1   | 5- 25 | AF         |          | B         |
| VSKTA1664//--1   | 4-138 | AD         |          | B         |
| [X]              |       |            |          |           |
| XBPSD26P06000    | 1- 32 | AA         |          | C         |
| XEBSD26P06000    | 1- 52 | AA         |          | C         |
| XEBSD30P06000    | 1- 51 | AA         |          | C         |
| "                | 2- 12 | AA         |          | C         |
| XEBSD30P08000    | 1- 11 | AA         |          | C         |
| XEBSD30P10000    | 1- 3  | AA         |          | C         |
| XEPSD30P08000    | 1- 72 | AA         |          | C         |

